

## FIELD MOUNTED PROCESS INDICATOR WITH DUAL RELAYS

8080RR

- 4-20MA INPUT
- 4 DIGIT LED DISPLAY IN ENGINEERING UNITS
- CHOICE OF ALUMINUM OR SS316 ENCLOSURE
- EXPLOSION PROOF CERTIFIED
- TWO INDEPENDENT USER ASSIGNABLE ALARMS
- WALL OR PIPE MOUNTING
- 3 YEAR WARRANTY



### Introduction

IME Model 8080RR Digital Indicators allow the process variable from any transmitter to be monitored in engineering units and 2 corresponding alarms to be assigned. Both alarms can be assigned either high or low within the selected range.

### Description

IME Model 8080RR Indicators are designed for use in process industries where vibration, inclement weather and corrosive atmospheres prevail. The electronics are enclosed in a low copper epoxy coated Aluminum housing and for more aggressive environments, a SS316 housing is optionally available. The housings meet the requirements of NEMA4X, and are also certified Explosion Proof by FM/CSA.

### LED Meter

8080RR has 4 digit LED display and may be configured to read from -999 to 9999 with 4-20mA input signal. The decimal point location, engineering units, alarm settings...etc can be adjusted via the membrane keys on the front panel or by using an IR Remote Controller. This feature allows the unit to be re-ranged in the field through the safety glass widow, without even opening the cover of the instrument.

### Mounting

IME Model 8080RR can be wall mounted or mounted on a 2" pipe using mounting brackets

### Functional Specifications

#### Indication Accuracy

0.1% of Calibrated range +/- 1 digit

#### Set Point Adjustment

10~100% of full scale, user selectable

#### Reset

Automatically when the input falls below the alarm set point by approximately +/- 0.5% of full scale.

#### Alarm Set Point Accuracy

+/-0.5% of full scale.

#### Alarm Status Indication

LED on front panel

#### Display Height

12.5mm (1/2") high

#### Alarm Output

2 sets SPDT, 1 form C, rated 10A @ 250V AC, 50/60Hz

#### Stability Over Time

0.1% of calibrated range +/- 1 digit over 6 months

#### Over Range Indication

Flashing of display

#### Response Time

Typically 75ms

#### Supply Voltage

18~28V DC

#### Operating Temperature

-50~70°C

#### Weight

0.9Kg (2Lb) for Aluminum Unit and 1.4Kg (3Lb) for SS316 unit

#### Material of Construction

Enclosure Epoxy painted Low Copper Aluminum or SS316 as specified

#### O Rings

Buna N

**FIELD MOUNTED PROCESS INDICATOR WITH DUAL RELAYS 8080RR**

Both the Aluminum and the SS316 housing are certified NEMA4X. As indicated below. IME model 8080RR can be optionally provided with certification and a stainless steel name plate for use in Hazardous Area applications.

FM/CSA EX PROOF CERTIFICATIONS

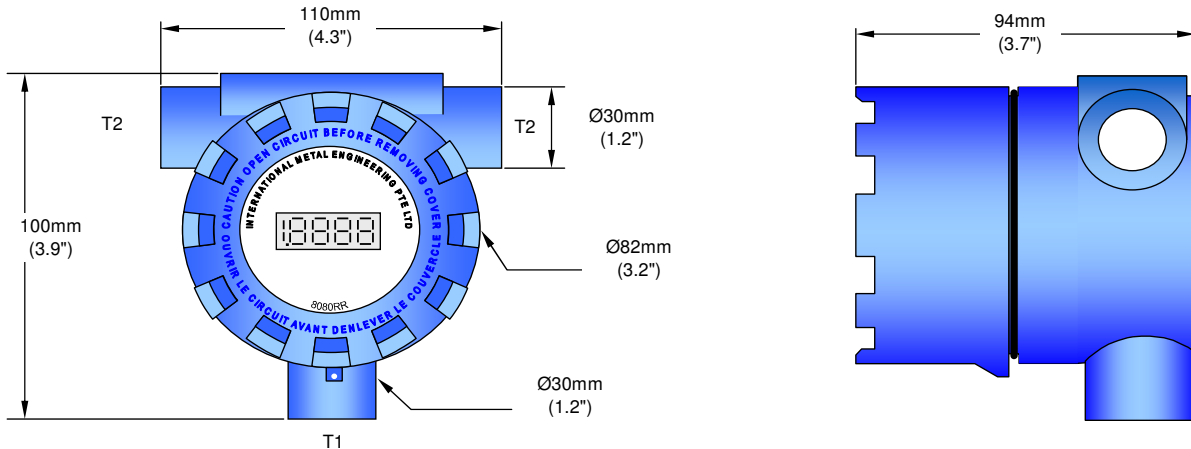
Class I Div I Groups B, C and D  
Class II Div I Groups E, F and G

Ordering Information

Model	Description					
8080RR	Field Mounted Process Indicator with 4 Digital LED Display with Dual Relays					
	<b>Code</b>	<b>Options, Housing</b>				
	A	Die cast Aluminum, Epoxy Coated				
	T	SS316, Electro Polished				
	<b>Code</b>	<b>Instrument Connection (T1)</b>	<b>Conduit Size (T2)</b>			
	01	M16 x 2P (for mounting bracket)	3/4" NPT			
	02	M16 x 2P (for mounting bracket)	1/2"NPT			
	03	M16 x 2P (for mounting bracket)	M20 x 1.5P			
	04	1/2"NPT	3/4" NPT			
	05	1/2"NPT	1/2"NPT			
	06	1/2"NPT	M20 x 1.5P			
	07	3/4" NPT	3/4" NPT			
	08	3/4" NPT	1/2"NPT			
	09	3/4" NPT	M20 x 1.5P			
	10	1/2"BSP	3/4" NPT			
	11	1/2"BSP	1/2"NPT			
	12	1/2"BSP	M20 x 1.5P			
	13	3/4" NPT	None			
	14	M20 x 1.5	None			
	16	1/2"BSP	None			
	17	1/2"NPT	None			
	<b>Code</b>	<b>Certification *</b>				
	NN	None				
	EA	FM, CSA Explosion Proof Certified, NEMA 4X				
	<b>Code</b>	<b>Accessories</b>				
	RC	IME Model 175RC Mounting Bracket				
	PM	IME Model 175PM Mounting Bracket				
	NR	IME Model 175NR Mounting Bracket				
	MM	IME Model 175MM Mounting Bracket				
	<b>Code</b>	<b>2 Inch "U" Bolt with Nuts and Washers</b>				
	00	None				
	01	IME Model 17508, 1 Set (For IME Model 175RC)				
	02	IME Model 17508, 2 Sets (For IME Model 175PM & 175NR)				
8080RR	A	02	NN	PM	02	Typical Model Number

Note:

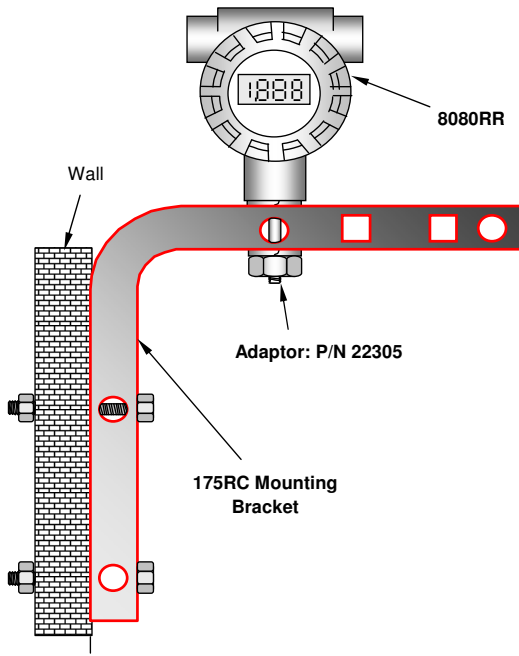
1. FM/ATEX Certifications Pending at time of publication
2. Metric Thread and 1/2" BSP are not certified yet



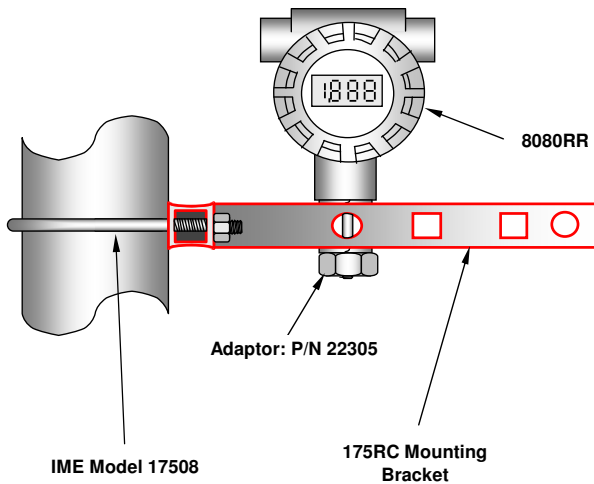
MODEL 175RC MOUNTING BRACKET

IME MODEL 175RC

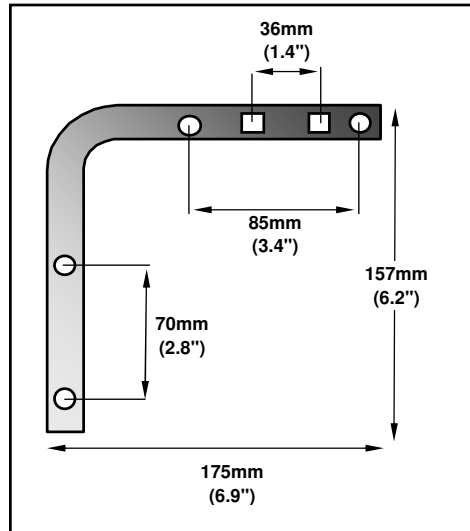
PANEL / WALL MOUNTING CONFIGURATION  
9 mm or 5/16 bolts for mounting bracket to wall or panel  
(Not Supplied)  
Adaptor P/N: 22305 (Optional)



2" PIPE MOUNTING CONFIGURATION  
2 Inch "U" Bolt with Nuts and Washers (Optional)  
Adaptor P/N: 22305 (Optional)



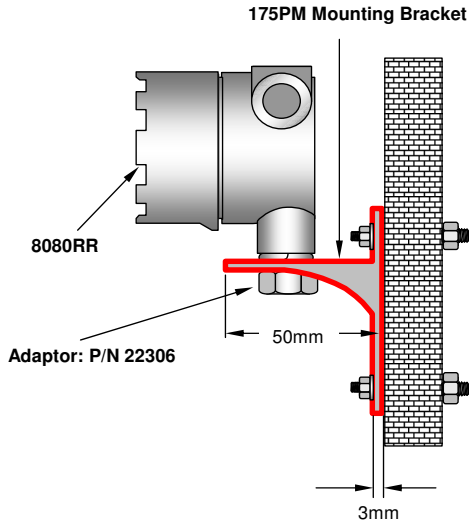
Dimensions



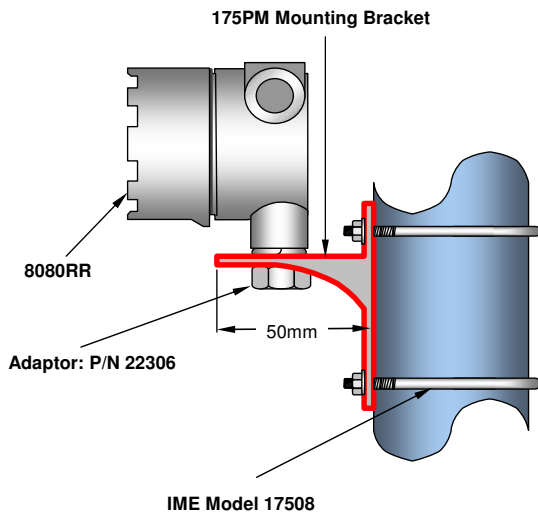
MODEL 175PM MOUNTING BRACKET

IME MODEL 175PM

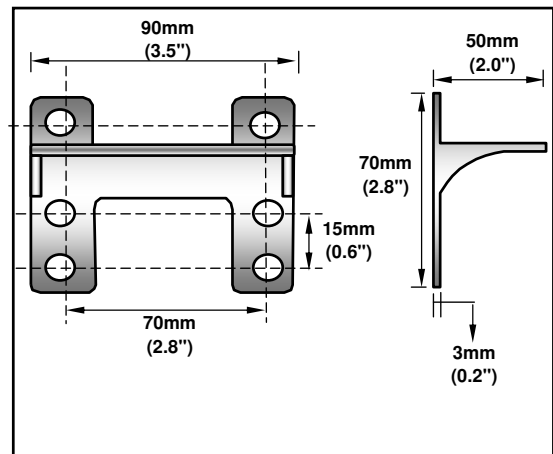
PANEL / WALL MOUNTING CONFIGURATION  
9 mm or 5/16 bolts for mounting bracket to wall or panel  
(Not Supplied)  
Adaptor P/N: 22306 (Optional)



2" PIPE MOUNTING CONFIGURATION  
2 Inch "U" Bolt with Nuts and Washers (Optional)  
Adaptor P/N: 22306 (Optional)



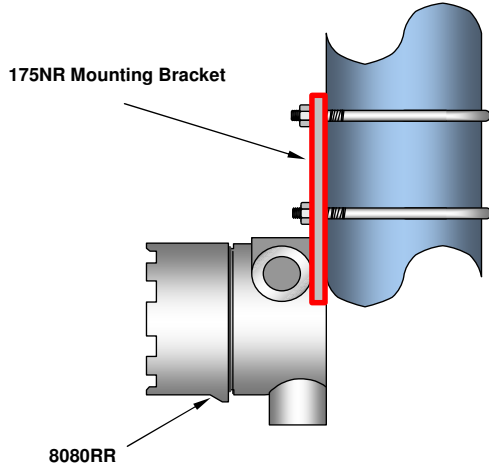
Dimensions



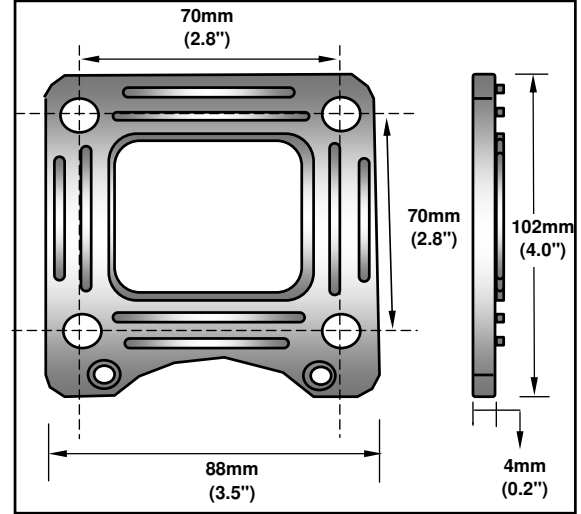
MODEL 175NR AND 175MM MOUNTING BRACKET

IME MODEL 175NR

2" PIPE MOUNTING CONFIGURATION  
2 Inch "U" Bolt with Nuts and Washers

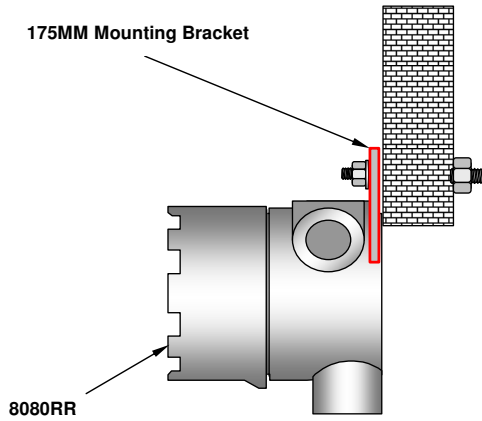


Dimensions



IME MODEL 175MM

PANEL / WALL MOUNTING CONFIGURATION  
9 mm or 5/16 bolts for mounting bracket to wall or panel  
(Not Supplied)



Dimensions

