

INTERNATIONAL METAL ENGINEERING

MODEL 7092 EXPLOSION PROOF JUNCTION BOX

- EXPLOSION PROOF CERTIFIED
- IP66 CONSTRUCTION
- CHOICE OF SS316 AND COPPER-FREE ALUMINUM
- CHOICE OF TEMPERED GLASS COVER OR BLIND COVER
- WIDE SELECTION OF CONDUIT SIZES
- OPTION FOR A CUSTOMIZE SS NAMEPLATES



Introduction

Material of Construction:

Copper-Free Aluminum or SS316

Certification:

ATEX & IECEX

Connections

1/2" NPT, 3/4" NPT, M20x1.5

Mounting Holes

As per requirement

Surface Finishing

Epoxy Coated for Aluminum; Electro Polish for SS316

"O" Ring

Buna "N"

Weight

2.2 Kg (4.9 lbs) for Aluminum; 2.75Kg (6 lbs) for SS316

Accessories

Customized SS Nameplate

Certification System

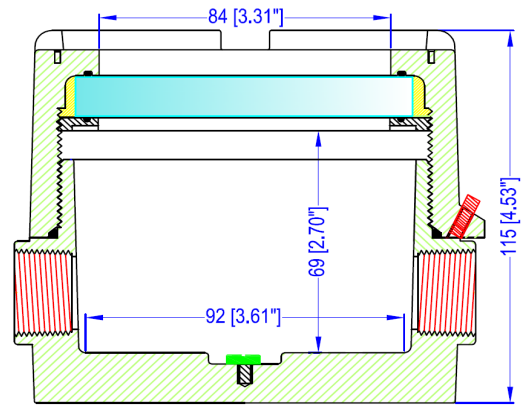


II 2 G D
Ex d IIC
Ex tD A21 IP66
Ta = -40°C to +85°C

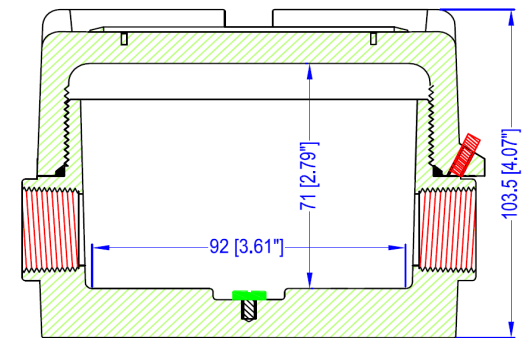


Ex d IIC
Ex tD A21 IP66
Ta = -40°C to +85°C

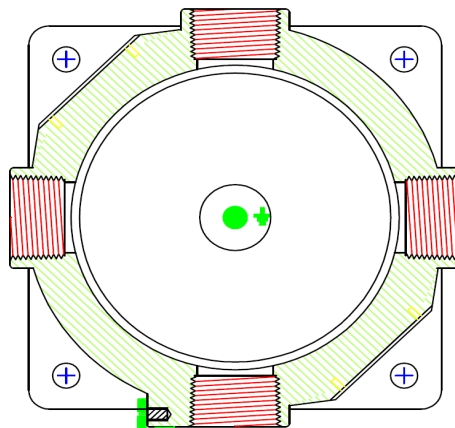
Dimensions (Based on Aluminum Version)



CROSS SECTION WITH GLASS COVER



CROSS SECTION WITH BLIND COVER



TOP VIEW OF 4 ENTRIES

INTERNATIONAL METAL ENGINEERING

MODEL 7092 EXPLOSION PROOF JUNCTION BOX

IME Model 7092 Series Junction Boxes are designed to accommodate circuit boards and devices having a maximum diameter of 3.6"(92mm). Specifically designed for explosion proof applications, the housing is available in either a die-cast Copper-Free Aluminum version or investment casted SS316 to withstand applications where aggressive atmospheres prevail. The housing can be ordered with either a tempered glass cover or solid cover. There is a wide choice of conduit and instrument entries.

Order Information

Model	Description
7092AN	Copper-Free Aluminum Junction Box With Blind Cover, General Purpose, Epoxy Coated
7092AT	Copper-Free Aluminum Junction Box With Blind Cover, ATEX & IECEx Explosion Proof Certified, IP66, Epoxy Coated
7092WN	Copper-Free Aluminum Junction Box With Tempered Glass Cover, General Purpose, Epoxy Coated
7092WT	Copper-Free Aluminum Junction Box With Tempered Glass Cover, ATEX & IECEx Explosion Proof Certified, IP66, Epoxy Coated
7092TN	Stainless Steel Junction Box With Blind Cover, General Purpose
7092TT	Stainless Steel Junction Box With Blind Cover, ATEX & IECEx Explosion Proof Certified, IP66
7092SN	Stainless Steel Junction Box With Tempered Glass Cover, General Purpose
7092ST	Stainless Steel Junction Box With Tempered Glass Cover, ATEX & IECEx Explosion Proof Certified, IP66

Code	Entries (See Details Below)
00	1 Entry
01	2 Entries at 180°
02	2 Entries at 90°
03	3 Entries
04	4 Entries

Code	Connections
05	1/2" NPT
07	3/4" NPT
22	M20 x1.5P (SEE NOTE 1)

7092WT	03	07	← Typical Model Number
--------	----	----	------------------------

Note:

1. A temporary metric label is required when a metric thread is selected.

