



# Pneumatic Spring Return Automated Ball Valve Package

Series 24  
Firesafe  
High Pressure 2-Piece Design

Sizes 1/4" – 2"  
Full Port 1/4" – 1-1/2" Regular Port 2"

Available in 316SST

Direct Mount

3000 psi WOG

High Cycle Design

Pyramidal Stem Seal Packing  
System

Compliant to NACE MR0175

Blowout Proof Stem

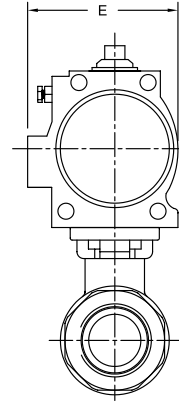
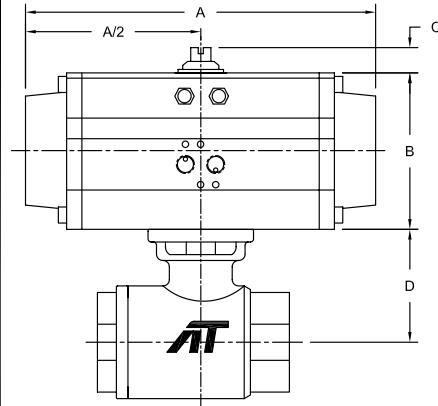
Delrin® Seats Standard

### STANDARDS

Design	ANSI/ASME B16.34, Firesafe design
End Connections	ANSI/ASME B16.25, B1.20.1
Pressure Testing	API 598
Sulfide Stress Protection	NACE MR0175
Mounting	ISO 5211
Marking System for Valves	MSS SP-25, MSS SP-72, ISO 5209
Material Certification	EN 10204-3.1 MTR
Quality Assurance	ISO 9001:2008



Direct Mount



### DIMENSIONS (IN)

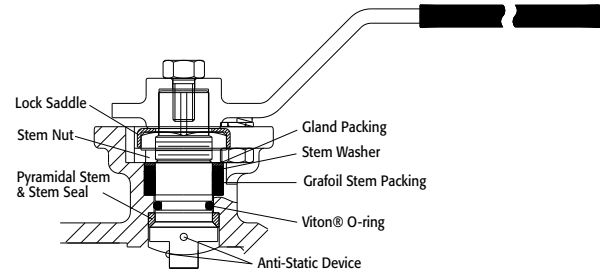
VALVE SIZE	A	B	C	D	E	VALVE Cv
1/4"	7.95	3.43	0.79	1.61	3.29	7
3/8"	7.95	3.43	0.79	1.61	3.29	8
1/2"	9.29	4.49	0.79	1.61	4.41	15
3/4"	9.29	4.49	0.79	1.72	4.41	35
1"	9.29	4.49	0.79	2.11	4.41	50
1-1/4"	10.87	4.88	0.79	2.32	4.82	95
1-1/2"	10.87	4.88	0.79	2.96	4.82	180
2"	11.46	5.28	0.79	2.96	5.20	210

DIMENSIONS SHOWN ARE FOR ASSEMBLIES SIZED FOR 80 PSI SUPPLY

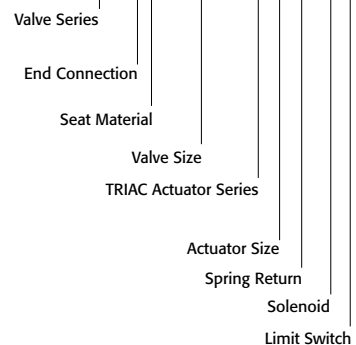
SERIES 24 Direct Mount

SIZED FOR 80 psi AIR SUPPLY	
SIZE	MODEL
1/4"	24-TD-025/2R2S-XX
3/8"	24-TD-038/2R2S-XX
1/2"	24-TD-050/2R3S-XX
3/4"	24-TD-075/2R3S-XX
1"	24-TD-100/2R3S-XX
1-1/4"	24-TD-125/2R4S-XX
1-1/2"	24-TD-150/2R4S-XX
2"	24-TD-200/2R5S-XX

SIZED FOR 60 psi AIR SUPPLY	
SIZE	MODEL
1/4"	24-TD-025/2R2S-XX
3/8"	24-TD-038/2R2S-XX
1/2"	24-TD-050/2R3S-XX
3/4"	24-TD-075/2R3S-XX
1"	24-TD-100/2R3S-XX
1-1/4"	24-TD-125/2R4S-XX
1-1/2"	24-TD-150/2R5S-XX
2"	24-TD-200/2R5S-XX



### SAMPLE PART # 24-TD-050/2R3S-XX



### OPTIONS

DESCRIPTION	PART NO. SUFFIX	DESCRIPTION	PART NO. SUFFIX
NEMA 4 Solenoid	(A)	NEMA 4 Limit Switch (2) spdt	(A)
NEMA 7 Solenoid	(B)	NEMA 7 Limit Switch (2) spdt	(B)
Intrinsically Safe Solenoid	(C)	Intrinsically Safe Limit Switch	(C)

Other options available - call for details  
Actuators are sized based on clean/clear fluid.

Viton® is a registered trademark of E.I. DuPont de Nemours.  
Delrin® is a registered trademark of DuPont Performance Polymers.

See valve part number matrix for complete part number and options.



**A-T Controls, Inc.**

9955 International Blvd.  
Cincinnati, Ohio 45246  
www.atcontrols.com

PHONE (513) 247-5465  
FAX (513) 247-5462  
sales@atcontrols.com