

# L1920 Indicator Tower Light For Hazardous Locations



**CID2**  
Group  
A, B, C, D

**CIID2**  
Group  
F & G

**IP67**

**NEMA**  
6

### Protection

- Class I, Division 2, Group A, B, C and D
- Class II, Division 2, Groups F and G
- Class III

### Standards

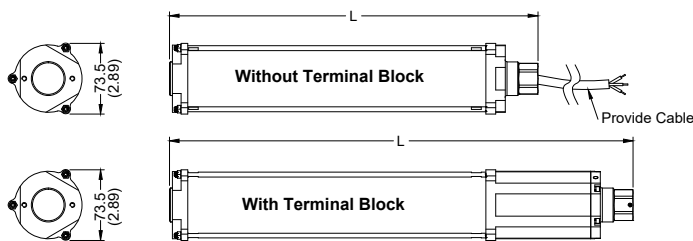
- UL 508
- UL 50E
- UL 50
- UL121201
- C22.2 No 213
- CSA C22.2 NO. 14-18
- CSA C22.2 No. 94.2-15
- CSA C22.2 No. 94.1-15

- Available with or without terminal box and buzzer.
- Single-color light can be used as a warning light, eye-washer indicator or for special environments.

## Technical Data

LED Lamp and Buzzer Rated Current ( ±10%)						
	12VDC	12VAC	24VDC	24VAC	110VAC	220VAC
LED	0.08A	0.15A	0.05A	0.07A	0.02A	0.02A
Buzzer	0.08A	0.08A	0.02A	0.02A	0.01A	0.01A

Rated Voltage	12V / 24V DC ; 12V / 24V / 110V / 220V AC					
Ambient Temperature	-25°C ~ +40°C					
Color	Red, Orange, Green, Blue, White					
Frequency	50 / 60 Hz (AC)					
Degree of Protection	IP67 / NEMA 6					
Material	Aluminum Alloy(Body) and PC(Lens)					Buzzer Volume: 80 dB (Tested 1 meter away from the device)
Entrance Thread	M22					



Net Weight:

- Without Terminal Block-5 sections  
1.5 kg (3.3 lb)
- With Terminal Block-5 sections  
2.0 kg (4.4lb)

Dimension in Millimeters (inches)

Total Height "L"					
Section	Without Terminal Block		With Terminal Block		Color* (From Top to Bottom)
	THTH1920LNDZxxT	THTH1920FNDZxxT THTH1920SNDZxxT THTH1920BNDZxxT	THTH1920LCDZxxT	THTH1920FCDZxxT THTH1920SCDZxxT THTH1920BCDZxxT	
1	255 mm	255 mm	354 mm	354 mm	Red
2	255 mm	319 mm	354 mm	418 mm	Red x Green
3	319 mm	383 mm	418 mm	482 mm	Red x Orange x Green
4	383 mm	447 mm	482 mm	546 mm	Red x Orange x Green x Blue
5	447 mm	511 mm	546 mm	610 mm	Red x Orange x Green x Blue x White

\*The light color sequence can be adjusted according to needs.

## Model Code

<b>THT</b>	<b>H</b>	<b>1920</b>	<b>S</b>	<b>C</b>	<b>D</b>	<b>Z</b>	<b>2</b>	<b>5</b>	<b>T</b>	<b>C90</b>
			①	②			③	④		⑤

### ① Function

L=Non-Flashing mode  
 F=Flashing mode  
 S=Flashing mode with Buzzer  
 B=Non-Flashing mode with Buzzer

### ② Appearance Type

N=Without Terminal Block  
 C=With Terminal Block

### ③ Voltage

1=110V, 2=220V, 3=24V, L=12V

### ④ Section

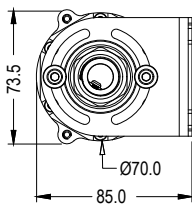
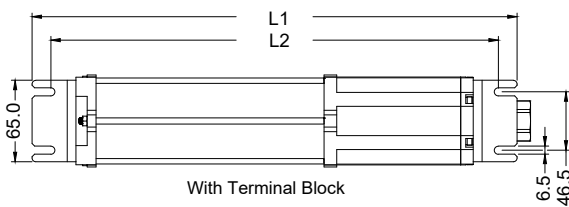
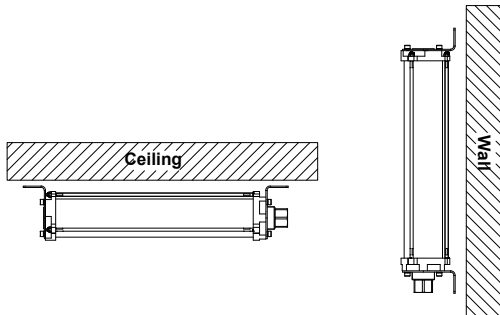
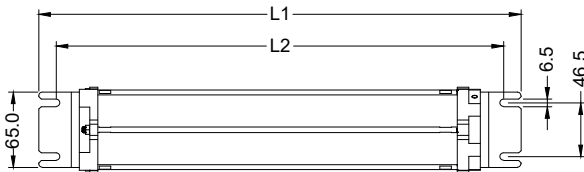
1~5 (Red, Orange, Green, Blue, White, selecting from top to bottom)

### ⑤ Mounting Bracket Type

W90=Wall Mount  
 C90=Ceiling Mount  
 S=Pole Stand  
 F=Foldable Mount  
 T=Pole Mount

## Mounting Option & Dimensions (All in mm)

### Two Position - Wall Mount (W90) / Ceiling Mount (C90)

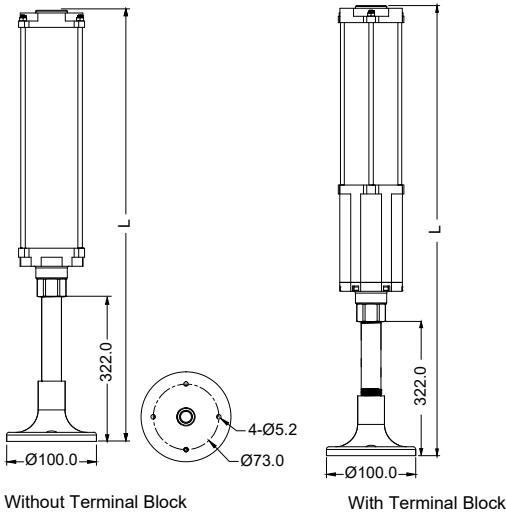


Length "L1"				
Section	Without Terminal Block		With Terminal Block	
	THTH1920LNDZxxT	THTH1920FNDZxxT THTH1920SNDZxxT THTH1920BNDZxxT	THTH1920LCDZxxT	THTH1920FCDZxxT THTH1920SCDZxxT THTH1920BCDZxxT
1	288 mm	288 mm	387 mm	387 mm
2	288 mm	352 mm	387 mm	451 mm
3	352 mm	416 mm	451 mm	515 mm
4	416 mm	480 mm	515 mm	579 mm
5	480 mm	544 mm	579 mm	643 mm

Length "L1"				
Section	Without Terminal Block		With Terminal Block	
	THTH1920LNDZxxT	THTH1920FNDZxxT THTH1920SNDZxxT THTH1920BNDZxxT	THTH1920LCDZxxT	THTH1920FCDZxxT THTH1920SCDZxxT THTH1920BCDZxxT
1	258 mm	258 mm	357 mm	357 mm
2	258 mm	322 mm	357 mm	421 mm
3	322 mm	386 mm	421 mm	485 mm
4	386 mm	450 mm	485 mm	549 mm
5	450 mm	514 mm	549 mm	613 mm

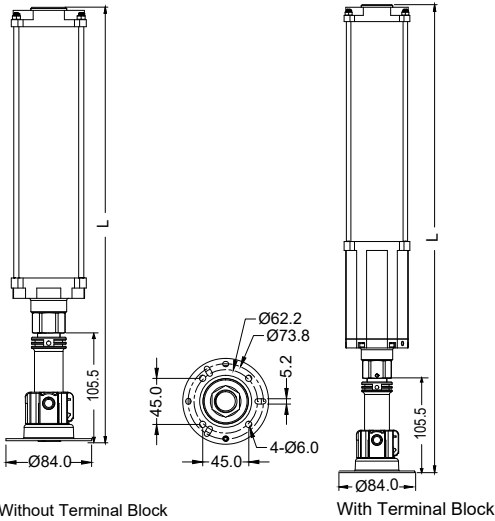
# Mounting Option & Dimensions (All in mm)

## Pole Stand (S)



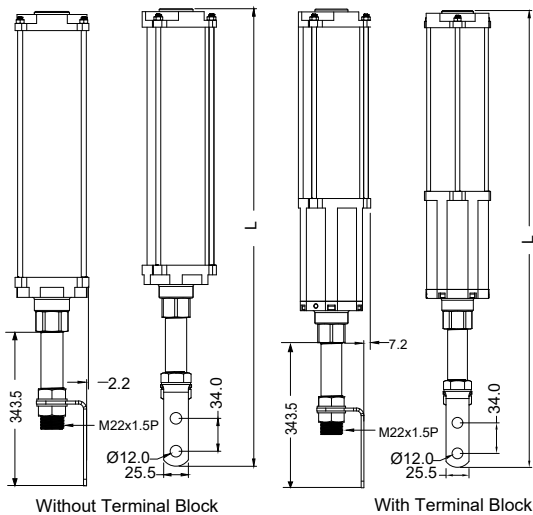
Section	Total Height "L" (For Reference Only)			
	Without Terminal Block		With Terminal Block	
	THTH1920LNDZxxT	THTH1920FNDZxxT THTH1920SNDZxxT THTH1920BNDZxxT	THTH1920LCDZxxT	THTH1920FCDZxxT THTH1920SCDZxxT THTH1920BCDZxxT
1	577 mm	577 mm	676 mm	676 mm
2	577 mm	641 mm	676 mm	740 mm
3	641 mm	705 mm	740 mm	804 mm
4	705 mm	769 mm	804 mm	868 mm
5	769 mm	833 mm	868 mm	932 mm

## Foldable Mount (F)



Section	Total Height "L" (For Reference Only)			
	Without Terminal Block		With Terminal Block	
	THTH1920LNDZxxT	THTH1920FNDZxxT THTH1920SNDZxxT THTH1920BNDZxxT	THTH1920LCDZxxT	THTH1920FCDZxxT THTH1920SCDZxxT THTH1920BCDZxxT
1	360.5 mm	360.5 mm	459.5 mm	459.5 mm
2	360.5 mm	424.5 mm	459.5 mm	523.5 mm
3	424.5 mm	488.5 mm	523.5 mm	587.5 mm
4	488.5 mm	552.5 mm	587.5 mm	651.5 mm
5	552.5 mm	616.5 mm	651.5 mm	715.5 mm

## Pole Mount (T)



Section	Total Height "L" (For Reference Only)			
	Without Terminal Block		With Terminal Block	
	THTH1920LNDZxxT	THTH1920FNDZxxT THTH1920SNDZxxT THTH1920BNDZxxT	THTH1920LCDZxxT	THTH1920FCDZxxT THTH1920SCDZxxT THTH1920BCDZxxT
1	598.5 mm	598.5 mm	697.5 mm	697.5 mm
2	598.5 mm	662.5 mm	697.5 mm	761.5 mm
3	662.5 mm	726.5 mm	761.5 mm	825.5 mm
4	726.5 mm	790.5 mm	825.5 mm	889.5 mm
5	790.5 mm	854.5 mm	889.5 mm	953.5 mm