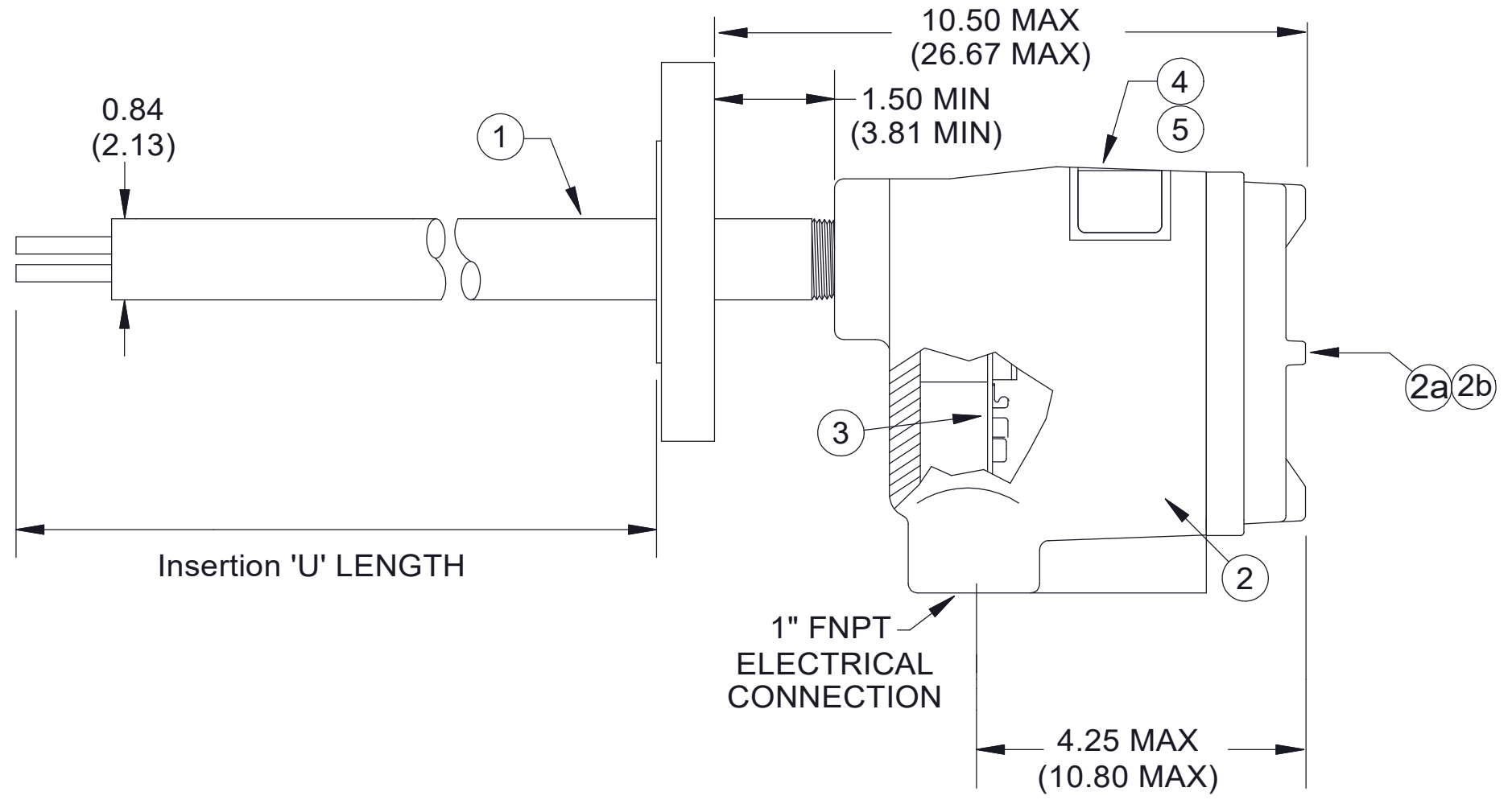
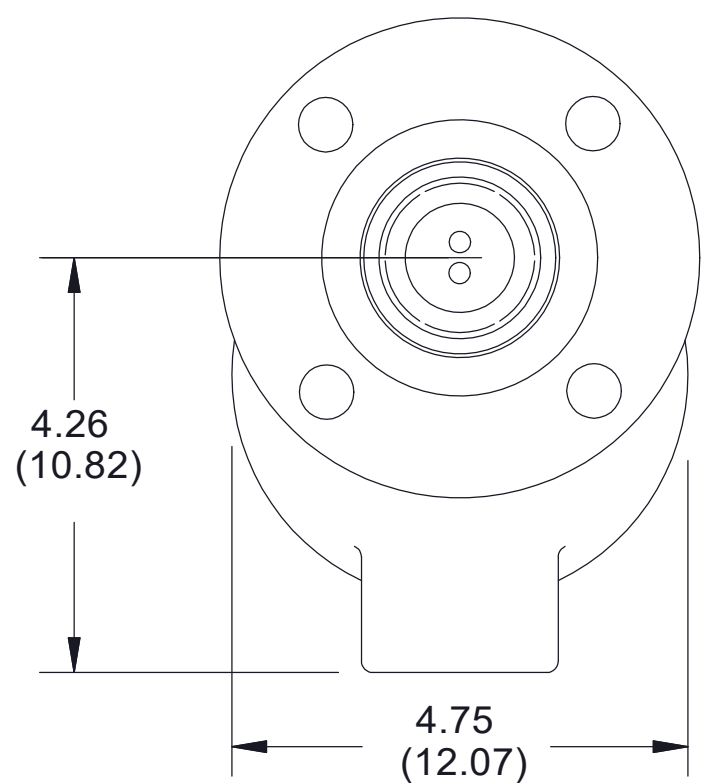


8 7 6 5 4 3 2 1

REVISIONS				
ZONE	REV.	DESCRIPTION	DATE	APPROVED
All	0	Initial Release	20Jun01	Chidley
	1	Update Gland Dim.	Jan11	
	2	Changed footer note. Modified confidential note. Modified Title box & Rev. Table. Corrected dim. Deleted 316L SS.	03Jun13	TDH
C5	3	Changed dimension from 1.05 to 0.84	21Jun21	BT



NOTES:

1. This drawing is a reference document only.

UNLESS OTHERWISE SPECIFIED:		NAME	DATE
DIMENSIONS ARE IN INCHES	DRAWN	MW	16MAY13
TOLERANCES:	CHECKED	EC	21MAY13
ANGULAR: 0.5°	ENG APPR.	TDH	03JUN13
ONE PLACE DECIMAL ±0.1			
TWO PLACE DECIMAL ±0.02			
THREE PLACE DECIMAL ±0.007			
INTERPRET GEOMETRIC TOLERANCING PER:	COMMENTS:		
MATERIAL			
FINISH			
DO NOT SCALE DRAWING			



TITLE:
CLASSIC 812 - Flanged Series
 Local Electronics
 Mounting Drawing


SIZE	DWG. NO.	REV
B	D15-812-RAAXXXX-LE	3

8 7 6 5 4 3 2 1

BOM			
ITEM	DESCRIPTION	PART NUMBER	QTY
1	Sensor; Flanged	Custom	1
2	Flameproof Enclosure (1/2" x 1" FNPT) c/w Terminal Assembly	N10-100A-C	1
2a	<input checked="" type="checkbox"/> Glass Lens Cover - Flameproof	M10-1G00	1
2b	<input type="checkbox"/> Blind Cover - Flameproof	M10-1B00	1
3	CLASSIC Electronics Module (12-24 VDC, 115-230 VAC)	L10-800-C-E	1
4	Nameplate, Foil	2400-0002	1
5	Nameplate, Overlay	2401-0001	1

NOTES:

- 1. This drawing is a reference document only.

UNLESS OTHERWISE SPECIFIED:		NAME	DATE		
DIMENSIONS ARE IN INCHES		DRAWN	MW		16MAY13
TOLERANCES: ANGULAR: 0.5° ONE PLACE DECIMAL ±0.1 TWO PLACE DECIMAL ±0.02 THREE PLACE DECIMAL ±0.007		CHECKED	EC		21MAY13
INTERPRET GEOMETRIC TOLERANCING PER:		ENG APPR.	TDH		03JUN13
MATERIAL		COMMENTS:		TITLE: Parts List - CLASSIC 812 - Flanged Series Local Electronics	
FINISH				SIZE: B	
DO NOT SCALE DRAWING				DWG. NO.: D15-810-RAAXXXX-LE	
				REV: 3	
KAYDEN INSTRUMENTS		Calgary, Alberta, Canada		Phone: +1.403.253.1423	
		kayden.com		SCALE: NTS	
				WEIGHT:	
				SHEET 2 OF 2	