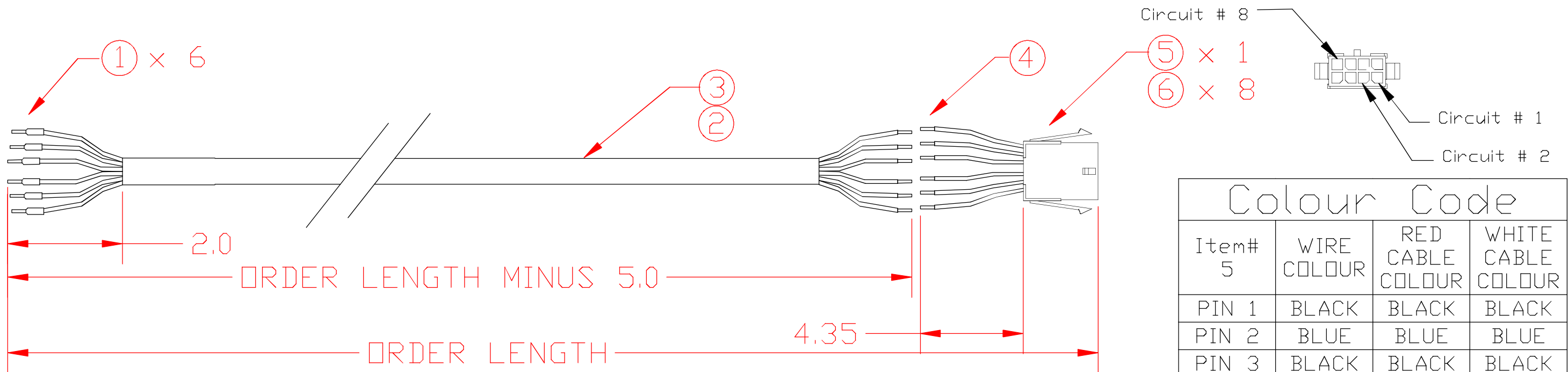


REVISIONS		
Date	Changes	Rev #
06JUNE08	Initial Release	0
08/Sept/10	Added White Teflon Cable as alternative	1
12Mar/14	updated BOM material list	2



Colour Code			
Item#	WIRE COLOUR	RED CABLE COLOUR	WHITE CABLE COLOUR
PIN 1	BLACK	BLACK	BLACK
PIN 2	BLUE	BLUE	BLUE
PIN 3	BLACK	BLACK	BLACK
PIN 4	BLUE	BLUE	BLUE
PIN 5	YELLOW	GREEN	GREEN
PIN 6	WHITE	WHITE	WHITE
PIN 7	RED	RED	RED
PIN 8	RED	ORANGE	ORANGE

ASSEMBLY NOTES:

- LAP SOLDER SPLICE COVER WITH ITEM 4
- COVER COMPLETE CABLE SPLICE WITH ITEM 2
- PIN 1 AND 3 SOLDERED TO ITEM 3 BLACK
- PIN 2 AND 4 SOLDERED TO ITEM 3 BLUE

TEST FOR CONTINUITY

Bill of Materials

- FERRULE, 24-20 AWG, ORANGE; P/N:2150-0030
- 3/8" ADHESIVE LINED SHRINK TUB, BLK. - 6.0" LENGTH; P/N: Z3100-0202
- 20 AWG STRANDED (7x28) TINNED COPPER FEP INSULATION; P/N: 60001-20AWG-TEFLON
- 1/8" SHRINK TUBE BLACK, P/N: 3100-0201, 1.5"
- MOLEX CONN. 430200800-P; P/N: 2100-0070
- MOLEX MALE TERM, 3.0mm; P/N: 2100-0071

Information contained in this document is confidential and proprietary information of Kayden Instruments. This document may not be reproduced or distributed for any reason without express written permission of Kayden Instruments. All rights of design, invention and copyright are reserved.

APPROVALS	DATE	KAYDEN [®] INSTRUMENTS		
DRN TDH	06JUNE08	TITLE 850, 450 sensor to electronics TEFLON		
CHKD KUYPERS	06JUNE08			
APP CHARUK	06JUNE08			
All dimensions are shown in inches with cm shown in brackets		SIZE A3	DWG NO. A05-TFE-XXX	REV 2
TOLERANCES ARE:		SCALE NTS		
DECIMALS	ANGLES	SHEET 1 OF 1		
.X ± 0.1	±0.5°			
.XX ± 0.02				
.XXX ± 0.007				