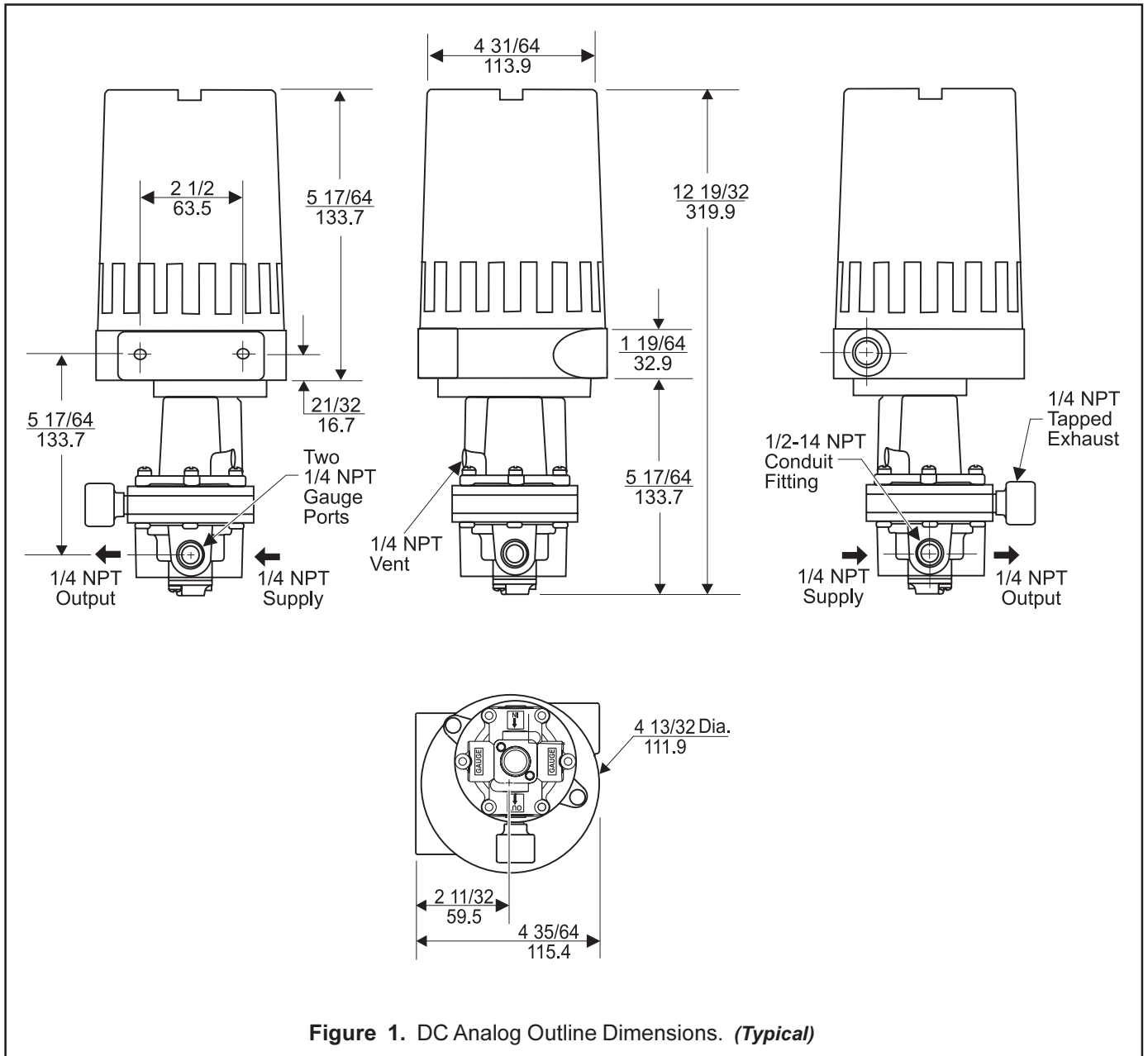


# FAIRCHILD 24XS SERIES M/P CONVERTERS

## DC ANALOG INPUT UNIT

### Installation Instructions



**Figure 1. DC Analog Outline Dimensions. (Typical)**

#### INSTALLATION

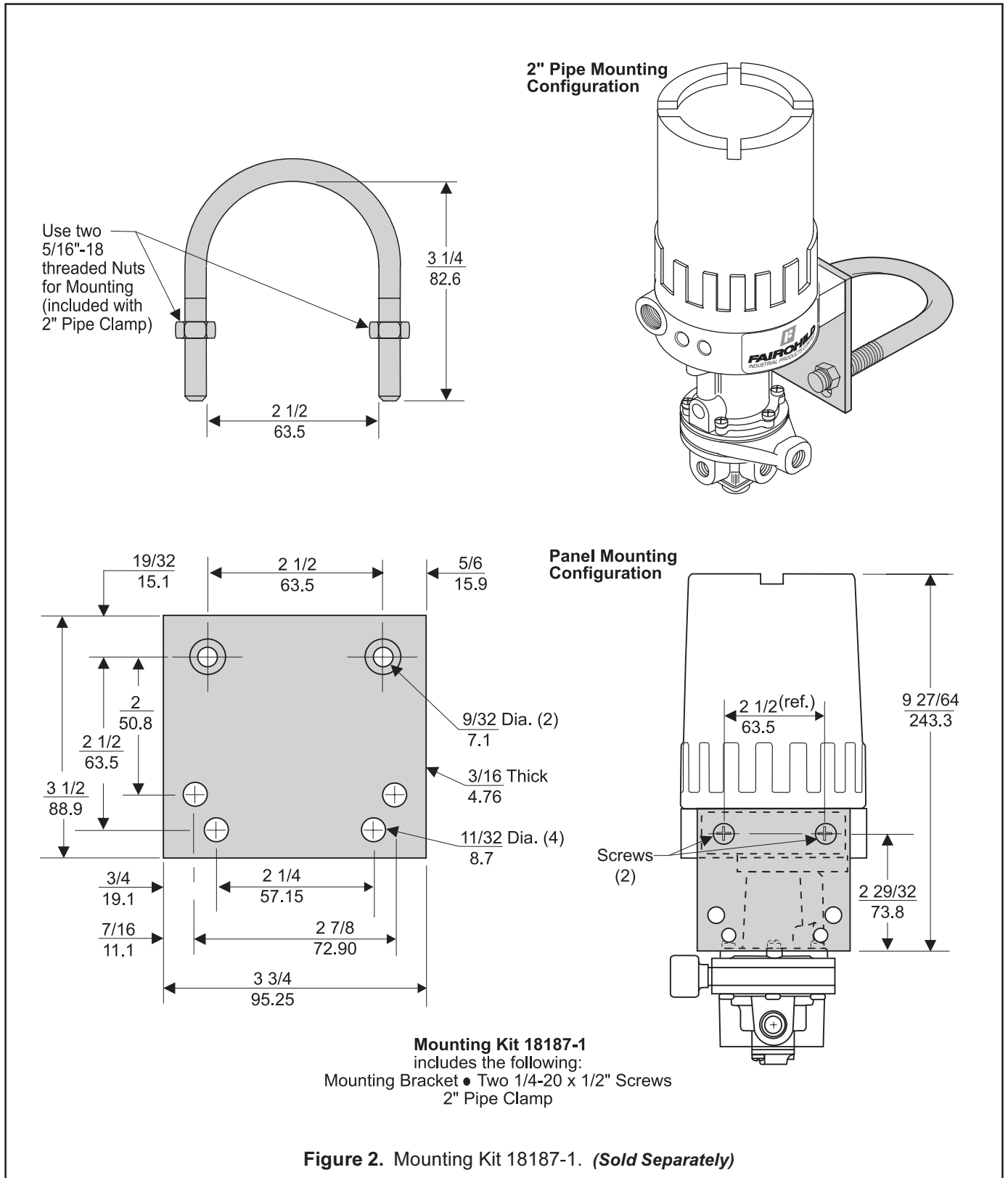
The DC Analog unit can be mounted directly onto a flat surface using the two 1/4"-20 tapped mounting holes in

the base of the housing. For more information, see Figure 1. "DC Analog Outline Dimensions" above.

**Installation (continued)**

The DC Analog unit can be Panel Mounted or mounted on a 2" Pipe using a mounting bracket and pipe clamp

supplied in Mounting Kit 18187-1. For more information, see Figure 2, "Mounting Kit 18187-1" below.



**Figure 2. Mounting Kit 18187-1. (Sold Separately)**

## Pneumatic Connections

Clean all pipelines to remove dirt and scale before installation.

Apply a minimum amount of pipe compound to the male threads of the fitting only. Start with the third thread back and work away from the end of the pipeline to avoid the possibility of contaminating the regulator. Install the regulator in the air line.

The inlet and outlet ports are labeled on the underside of the regulator with the arrows pointing to the direction of the flow. Tighten connections securely. Avoid undersized fittings that will limit the flow through the regulator and cause a pressure drop downstream. For more information, see Figure 1. "DC Analog Outline Dimensions" on page 1.

### NOTE:

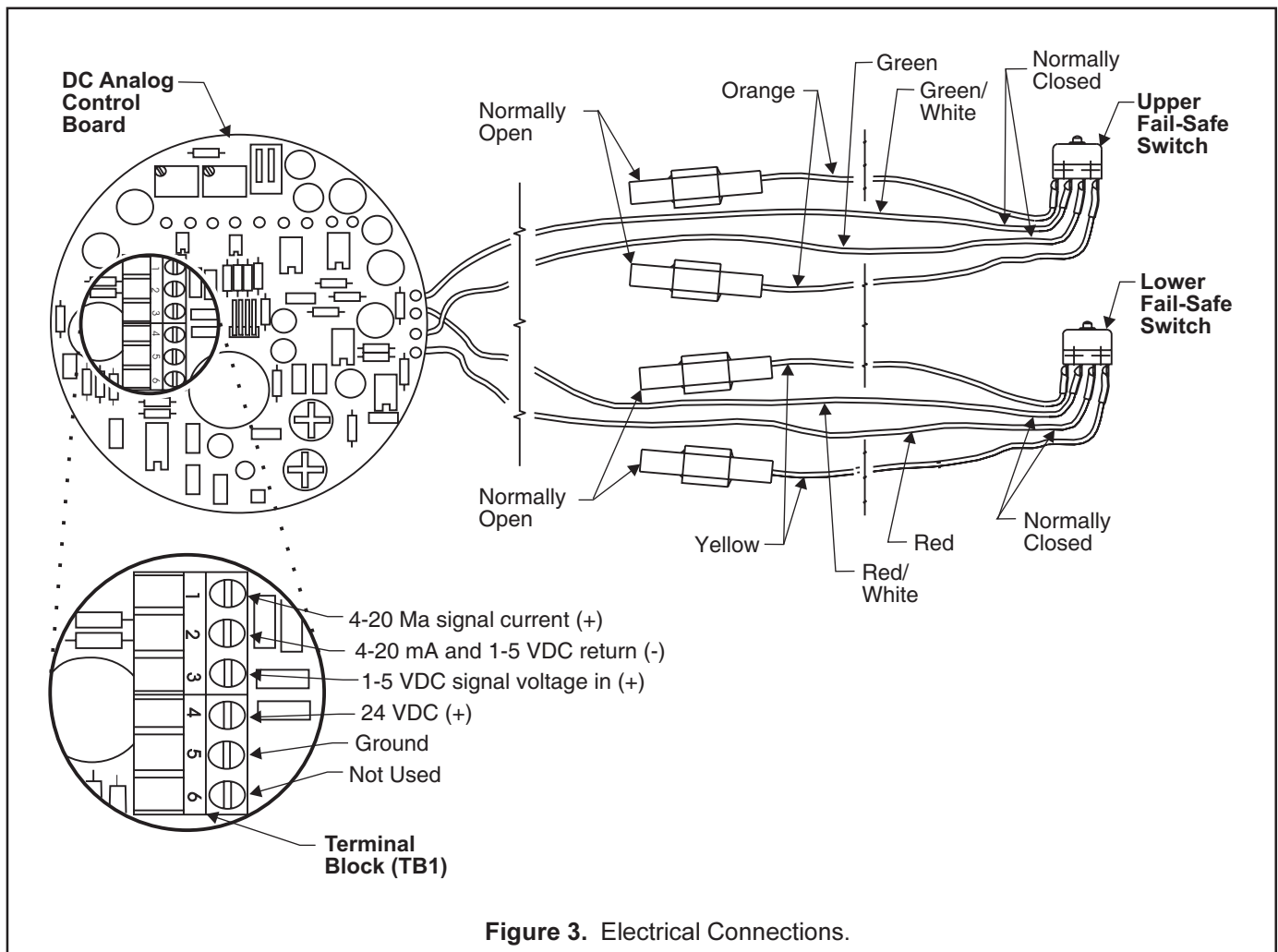
**Oil free air only must be applied to the regulator. Use a filter to remove dirt and liquid in the air line ahead of the regulator for correct performance. If an air line lubricator is used, it MUST be located downstream beyond the regulator to avoid interference with regulator performance. The Model 10 regulator does not require instrument air.**

## Electric Connection

Make Connections to the terminal board through the 1/2-14 NPT conduit fitting in the base of the housing. Wires should be routed inside the unit to prevent entangling them in the actuating mechanism. For signal lines of six feet or less, use 22 gage wire. For longer signal lines, use 18 gage wire due to voltage drop considerations. Use shielded cable for noise immunity for the signal lines.

To maintain signal integrity, DO NOT run power leads within the same shield as the signal lines. To avoid voltage drops and noise in the power supply, which can detract from optimal unit performance, signal and power returns (-) should be kept separate. Wire the unit following NEC and ANSI/NFPA: 70 for hazardous location installation. Connections from the DC Analog Control Board are wired to the Normally Closed terminals of the fail-safe switches.

Customer connections to the Normally Open terminals are provided and are accessible under the DC Analog Control Board. For more information, see Figure 3. "Electrical Connections" below.



**Figure 3.** Electrical Connections.

**LEGAL NOTICE:**

**The information set forth in the foregoing Installation Instructions shall not be modified or amended in any respect without prior written consent of Fairchild Industrial Products Company. In addition, the information set forth herein shall be furnished with each product sold incorporating Fairchild's unit as a component thereof.**