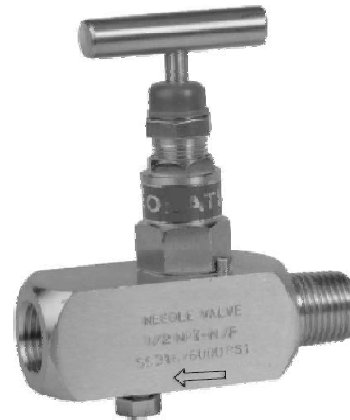


MODEL 322GV 2 VALVE MANIFOLD

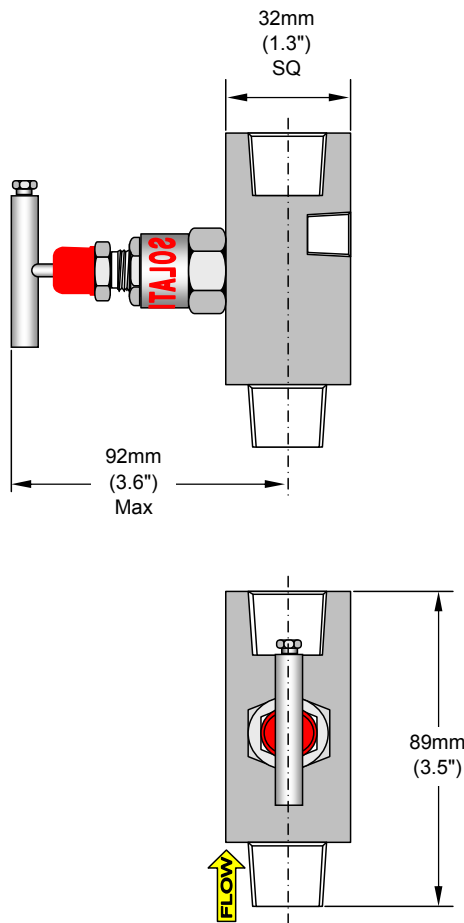
The Model 322GV Gauge Valve is simple and economical way to mount a pressure gauge or switch in the field and yet provide the facilities to easy removal and replacement of the device.

A 1/4" NPT drain valve is supplied as standard.

This design is suitable for applications up to 6,000psi (420Bar)



Introduction



Specifications

Material of Construction:

SS316, Carbon Steel, Monel, Hastelloy

Test Pressure (at 25°C Room Temperature)

Hydrostatic:	Body	-	620Bar
	Seat	-	415Bar
Pneumatic:	Seat	-	40Bar

Gland Packing

PTFE	:	Standard
Graphoil	:	Temperatures Above 180°C

Finish

CS: Zinc Plated; SS: Natural

Connection:

See below

Weight

1.50LBS (700g)

Accessories

None

Order Information

Model	Description		
322GV	2 Valve Manifold, Female x Female connection		
	Code	Inlet	Outlet
	01	1/2" NPT(M)	1/2" NPT(M)
	02	1/2" NPT(M)	1/2" NPT(F)
	03	1/2" NPT(F)	1/2" NPT(M)
	04	1/2" NPT(F)	1/2" NPT(F)
	Code	Materials of Construction	
	S2	SS 316	
	MN	Monel 400	
	HA	Hastelloy C	
	XX	Other (Specify)	
	Code	Packing Material	
	TF	Teflon	
	GR	Grafoil	
	XX	Other (Specify)	
322GV	03	S2	TF