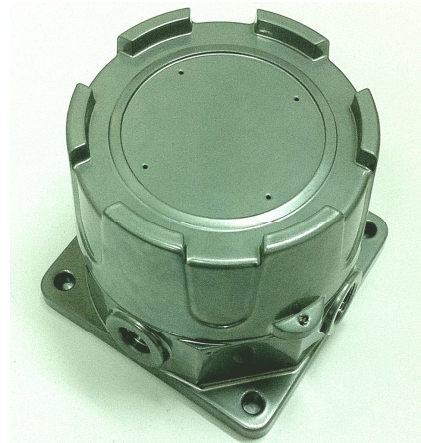


INTERNATIONAL METAL ENGINEERING

MODEL 7100 EXPLOSION PROOF JUNCTION BOX

- EXPLOSION PROOF CERTIFIED
- NEMA 4X AND IP68 CONSTRUCTION
- CHOICE OF SS316 AND COPPER-FREE ALUMINUM
- CHOICE OF TEMPERED GLASS COVER OR BLIND COVER
- WIDE SELECTION OF CONDUIT SIZES
- OPTION FOR A CUSTOMIZE SS NAMEPLATES



Introduction

Material of Construction:

Copper-Free Aluminum or SS316

Certification:

FM, CSA, ATEX & IECEX

Connections

1/2" NPT, 3/4" NPT, 1/2" BSP, M20x1.5

Mounting Holes

As per requirement

Surface Finishing

Epoxy Coated for Aluminum; Electro Polish for SS316

"O" Ring

Buna "N"





Weight

2.5 Kg (5.5 lbs) for Aluminum; 3.5Kg (7.7lbs) for SS316

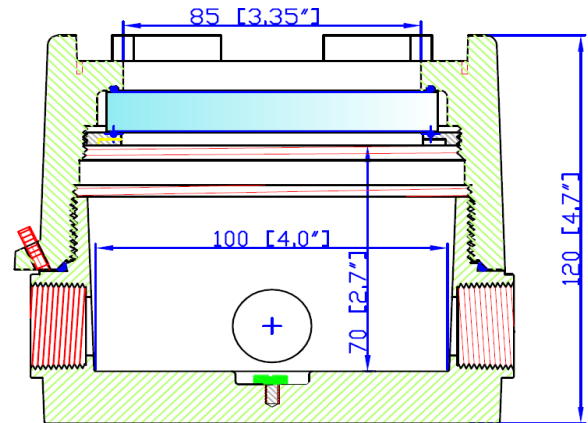
Accessories

Customized SS Nameplate

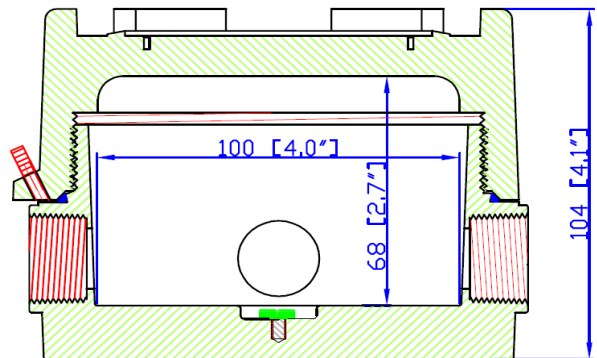
Certification System

	<p>CLASS I, DIV I GROUPS B, C & D CLASS II/III, DIV I GROUPS E, F & G NEMA 4X, IP66</p>
	<p>CLASS I, DIV I GROUPS B, C AND D CLASS II/III, DIV I GROUPS E, F AND G NEMA 4X</p>
	<p>II 2 G D Ex d IIC GB Ex tb DB IIIC IP68 Ta = -40°C to +85°C</p>
	<p>Ex d IIC GB Ex tb DB IIIC IP68 Ta = -40oC to +85oC</p>

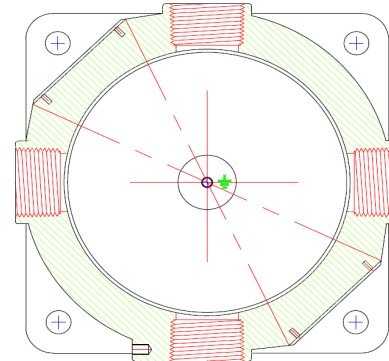
Dimensions (Based on Aluminum Version)



CROSS SECTION WITH GLASS COVER



CROSS SECTION WITH BLIND COVER



TOP VIEW OF 4 ENTRIES

INTERNATIONAL METAL ENGINEERING

MODEL 7100 EXPLOSION PROOF JUNCTION BOX

IME Model 7100 Series Junction Boxes are designed to accommodate circuit boards and devices having a maximum diameter of 4.0"(100mm). Specifically designed for explosion proof applications, the housing is available in either a die-cast Copper-Free Aluminum (NEMA 4X) version or investment casted SS316 to withstand applications where aggressive atmospheres prevail. The housing can be ordered with either a tempered glass cover or solid cover. There is a wide choice of conduit and instrument entries.

Order Information

Model	Description
7100AN	Copper-Free Aluminum Junction Box With Blind Cover, General Purpose, Epoxy Coated
7100AE	Copper-Free Aluminum Junction Box With Blind Cover, FM & CSA Explosion Proof Certified, NEMA 4X/ IP66, Epoxy Coated
7100AT	Copper-Free Aluminum Junction Box With Blind Cover, ATEX & IECEx Explosion Proof Certified, IP68, Epoxy Coated
7100AM	Copper-Free Aluminum Junction Box With Blind Cover, FM, CSA, ATEX & IECEx Explosion Proof Certified, NEMA 4X, IP66/ IP68 Epoxy Coated
7100WN	Copper-Free Aluminum Junction Box With Tempered Glass Cover, General Purpose, Epoxy Coated
7100WE	Copper-Free Aluminum Junction Box With Tempered Glass Cover, FM & CSA Explosion Proof Certified, NEMA 4X/ IP66, Epoxy Coated
7100WT	Copper-Free Aluminum Junction Box With Tempered Glass Cover, ATEX & IECEx Explosion Proof Certified, IP68, Epoxy Coated
7100WM	Copper-Free Aluminum Junction Box With Tempered Glass Cover, FM, CSA, ATEX & IECEx Explosion Proof Certified, NEMA 4X, IP66/ IP68 Epoxy Coated
7100TN	Stainless Steel Junction Box With Blind Cover, General Purpose
7100TE	Stainless Steel Junction Box With Blind Cover, FM & CSA Explosion Proof Certified, NEMA 4X/ IP66
7100TT	Stainless Steel Junction Box With Blind Cover, ATEX & IECEx Explosion Proof Certified, IP68
7100TM	Stainless Steel Junction Box With Blind Cover, FM, CSA, ATEX & IECEx Explosion Proof Certified, NEMA 4X, IP66/ IP68
7100SN	Stainless Steel Junction Box With Tempered Glass Cover, General Purpose
7100SE	Stainless Steel Junction Box With Tempered Glass Cover, FM & CSA Explosion Proof Certified, NEMA 4X/ IP66
7100ST	Stainless Steel Junction Box With Tempered Glass Cover, ATEX & IECEx Explosion Proof Certified, IP68
7100SM	Stainless Steel Junction Box With Tempered Glass Cover, FM, CSA, ATEX & IECEx Explosion Proof Certified, NEMA 4X, IP66/ IP68

Code	Entries
01	1 Entry
01	2 Entries at 180°
02	2 Entries at 90°
03	3 Entries
04	4 Entries

Code	Connections
05	½" NPT
07	¾" NPT
22	M20 x1.5P
23	½" BSP

7100SM 03 07 ← Typical Model Number

Note:

1. A temporary metric label is required when a metric thread is selected. However this thread option is not allowed in Canada.
2. ½"BSP thread is not FM Approved.

