



Pneumatic Double Acting Automated Ball Valve Package

Series 77
Sanitary End
3-Piece Ball Valve

Sizes 1/2"-4"

800/1000 PSI WOG (by size)

Available in 316L

Cavity Filled and Non-Cavity Filled

Sanitary Clamp Ends or
Tube OD Ends

Tube Pipe Design

Superior Live Loaded Packing
System

Blowout Proof Stem w/
Dual Anti-Static Devices

PTFE Seats standard

Pyramidal Stem Seal Design

STANDARDS

Design	ANSI/ASME B16.34
End Connections	ANSI/ASME BPE-1997/2000
Pressure Testing	API 598
Mounting	ISO 5211
Marking System for Valves	MSS SP-25, ISO 5209
CE Approval	PED 97/23/EC Module H
Safety Integrity	IEC 61508:2010; SIL 3
Material Certification	EN 10204-3.1 MTR
Quality Assurance	ISO 9001:2008



DIMENSIONS (IN) NON-CAVITY FILLED

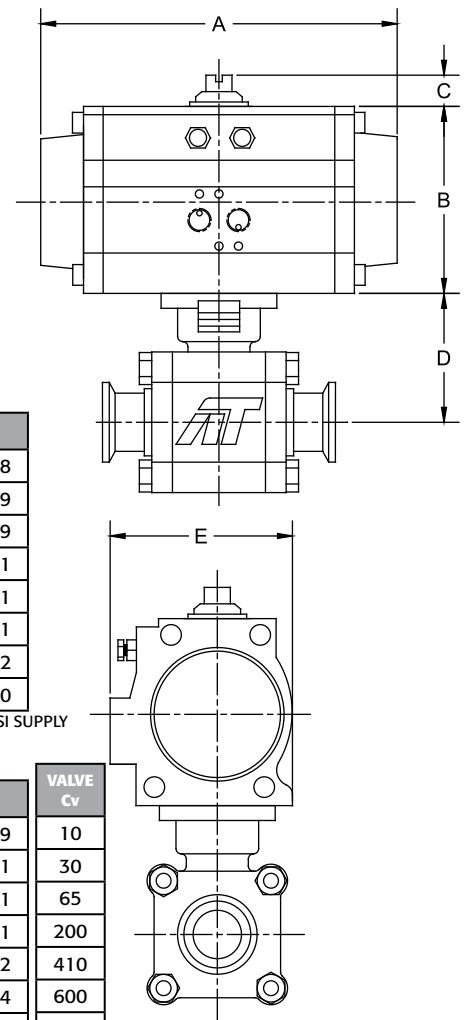
VALVE SIZE	A	B	C	D	E
1/2"	5.98	2.76	0.79	1.66	2.58
3/4"	7.95	3.43	0.79	1.89	3.29
1"	7.95	3.43	0.79	2.23	3.29
1-1/2"	9.29	4.49	0.79	3.05	4.41
2"	9.29	4.49	0.79	3.35	4.41
2-1/2"	9.29	4.49	0.79	4.28	4.41
3"	10.87	4.88	0.79	4.63	4.82
4"	11.46	5.28	0.79	5.22	5.20

DIMENSIONS SHOWN ARE FOR ASSEMBLIES SIZED FOR 80 PSI SUPPLY

CAVITY FILLED

VALVE SIZE	A	B	C	D	E	VALVE Cv
1/2"	7.95	3.43	0.79	1.66	3.29	10
3/4"	9.29	4.49	0.79	1.89	4.41	30
1"	9.29	4.49	0.79	2.23	4.41	65
1-1/2"	9.29	4.49	0.79	3.05	4.41	200
2"	10.87	4.88	0.79	3.35	4.82	410
2-1/2"	13.90	6.18	0.79	4.28	6.04	600
3"	13.90	6.18	0.79	4.63	6.04	1,050
4"	15.16	6.93	1.18	5.22	6.69	1,900

DIMENSIONS SHOWN ARE FOR ASSEMBLIES SIZED FOR 80 PSI SUPPLY



SERIES 77 Sanitary Ends

NON-CAVITY FILLED

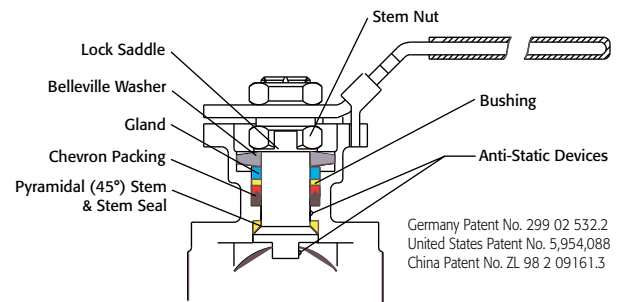
SIZED FOR 80 psi AIR SUPPLY	
SIZE	MODEL
1/2"	77-C1-050/TR1D-XX
3/4"	77-C1-075/2R2D-XX
1"	77-C1-100/2R2D-XX
1-1/2"	77-C1-150/2R3D-XX
2"	77-C1-200/2R3D-XX
2-1/2"	77-C1-250/2R3D-XX
3"	77-C1-300/2R4D-XX
4"	77-C1-400/2R5D-XX

SIZED FOR 60 psi AIR SUPPLY	
SIZE	MODEL
1/2"	77-C1-050/TR1D-XX
3/4"	77-C1-075/2R2D-XX
1"	77-C1-100/2R2D-XX
1-1/2"	77-C1-150/2R3D-XX
2"	77-C1-200/2R3D-XX
2-1/2"	77-C1-250/2R3D-XX
3"	77-C1-300/2R4D-XX
4"	77-C1-400/2R5D-XX

CAVITY FILLED

SIZED FOR 80 psi AIR SUPPLY	
SIZE	MODEL
1/2"	77-CF-050/2R2D-XX
3/4"	77-CF-075/2R3D-XX
1"	77-CF-100/2R3D-XX
1-1/2"	77-CF-150/2R3D-XX
2"	77-CF-200/2R4D-XX
2-1/2"	77-CF-250/2R6D-XX
3"	77-CF-300/2R6D-XX
4"	77-CF-400/2R7D-XX

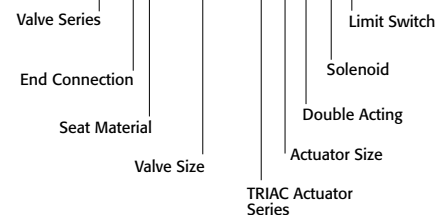
SIZED FOR 60 psi AIR SUPPLY	
SIZE	MODEL
1/2"	77-CF-050/2R2D-XX
3/4"	77-CF-075/2R3D-XX
1"	77-CF-100/2R3D-XX
1-1/2"	77-CF-150/2R3D-XX
2"	77-CF-200/2R4D-XX
2-1/2"	77-CF-250/2R6D-XX
3"	77-CF-300/2R6D-XX
4"	77-CF-400/2R7D-XX



Germany Patent No. 299 02 532.2
United States Patent No. 5,954,088
China Patent No. ZL 98 2 09161.3

SAMPLE PART #

77-CF-150/2R3D-XX



See valve part number matrix for complete part number and options.

OPTIONS

DESCRIPTION	SUFFIX	DESCRIPTION	SUFFIX
NEMA 4 Solenoid	(A)	NEMA 4 Limit Switch (2) spdt	(A)
NEMA 7 Solenoid	(B)	NEMA 7 Limit Switch (2) spdt	(B)
Intrinsically Safe Solenoid	(C)	Intrinsically Safe Limit Switch	(C)

77DA-20160112
Copyright 2013 A-T Controls, Inc.

Other options available - call for details
Actuators are sized based on clean/clear fluid.



9955 International Blvd.
Cincinnati, Ohio 45246
www.atcontrols.com

PHONE (513) 247-5465
FAX (513) 247-5462
sales@atcontrols.com