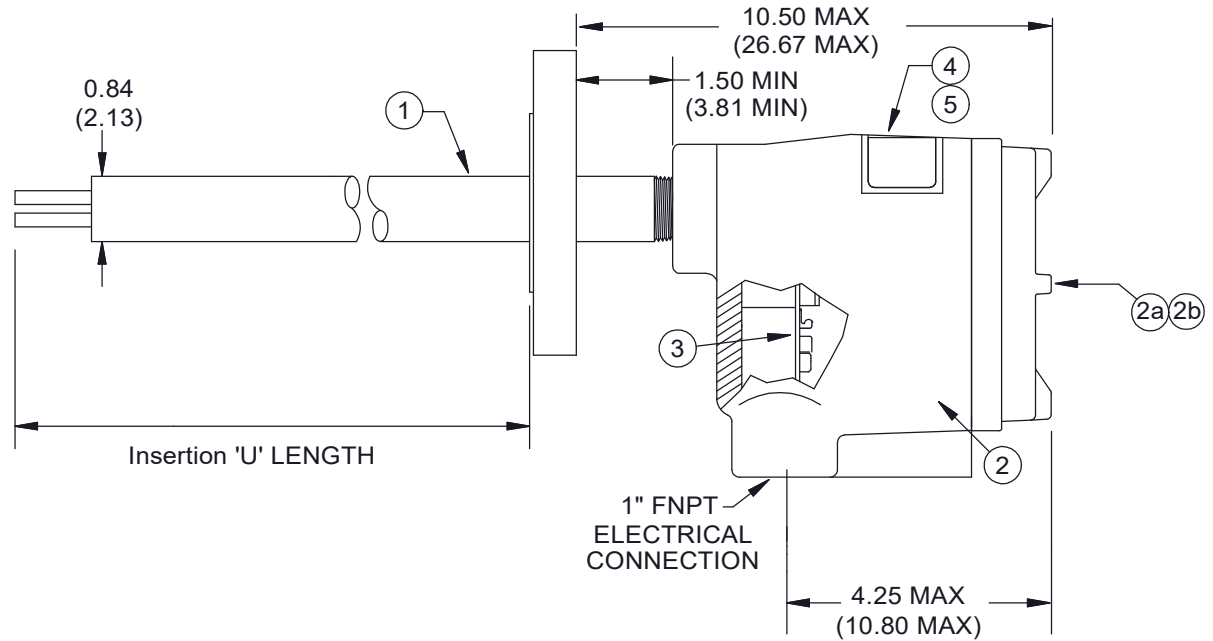
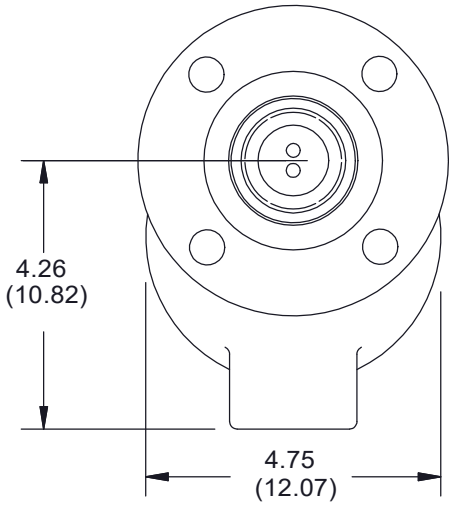


8 7 6 5 4 3 2 1

REVISIONS				
ZONE	REV.	DESCRIPTION	DATE	APPROVED
All	0	Initial Release	20Jun01	Chidley
	1	Update Gland Dim.	08Apr11	
	2	Changed footer note. Modified confidential note. Modified Title box & Rev. Table. Modified dimmensions. Added Bubble 1.	03Jun13	TDH
C5	3	Changed dimmension from 1.05 to 0.84	21Jun21	BT



NOTES:

1. This drawing is a reference document only.

UNLESS OTHERWISE SPECIFIED:	NAME	DATE
DIMENSIONS ARE IN INCHES	DRAWN MW	16MAY13
TOLERANCES: ANGULAR: 0.5°	CHECKED EC	21MAY13
ONE PLACE DECIMAL ±0.1	ENG APPR. TDH	03JUN13
TWO PLACE DECIMAL ±0.02		
THREE PLACE DECIMAL ±0.007		
INTERPRET GEOMETRIC TOLERANCING PER:	COMMENTS:	
MATERIAL		
FINISH		
DO NOT SCALE DRAWING		



TITLE:
CLASSIC 812 - Flanged Series Remote Sensor Assembly Mounting Drawing

SIZE	DWG. NO.	REV
B	D15-812-RAAXXX-RE	3


8 7 6 5 4 3 2 1

8 7 6 5 4 3 2 1

BOM			
ITEM	DESCRIPTION	PART NUMBER	QTY
1	Sensor; Flanged	Custom	1
2	Flameproof Enclosure (1/2" x 1" FNPT) c/w Terminal Assembly	N10-100A-C	1
2a	<input type="checkbox"/> Glass Lens Cover - Flameproof	M10-1G00	1
2b	<input checked="" type="checkbox"/> Blind Cover - Flameproof	M10-1B00	1
3	Remote Terminal Assembly For Sensor Enclosure(12-24 VDC, 115-230 VAC)	1790-0622-C	1
4	Nameplate, Foil	2400-0002	1
5	Nameplate, Overlay	2401-0001	1

NOTES:

- 1. This drawing is a reference document only.

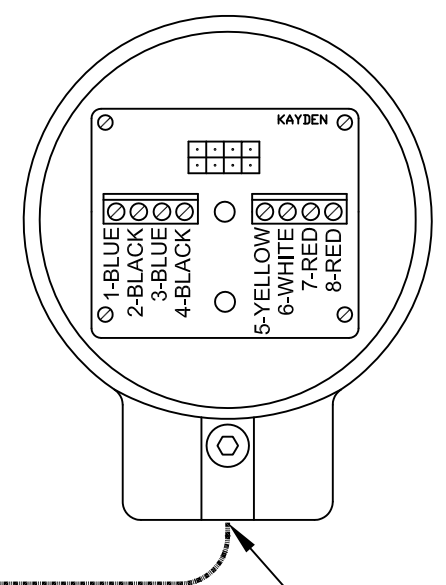
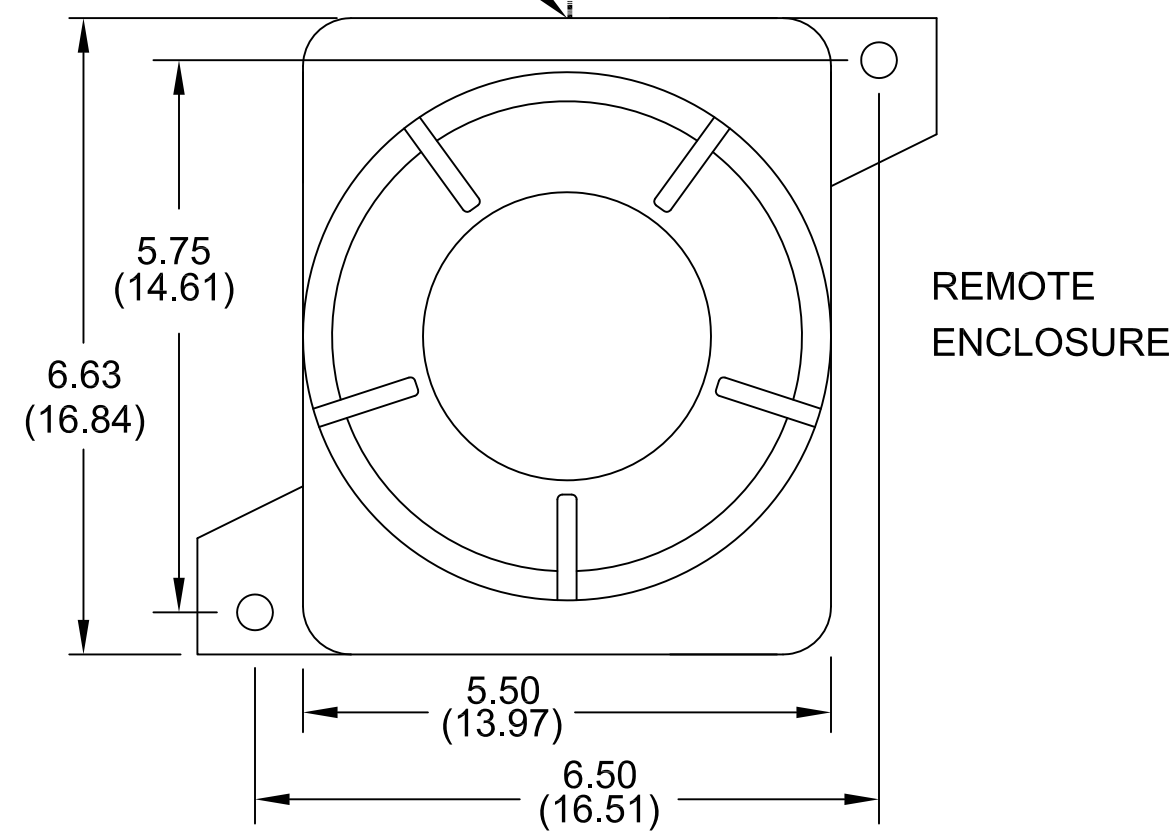
UNLESS OTHERWISE SPECIFIED: DIMENSIONS ARE IN INCHES TOLERANCES: ANGULAR: 0.5° ONE PLACE DECIMAL ±0.1 TWO PLACE DECIMAL ±0.02 THREE PLACE DECIMAL ±0.007 INTERPRET GEOMETRIC TOLERANCING PER: MATERIAL FINISH DO NOT SCALE DRAWING		NAME	DATE	
	DRAWN	MW	16MAY13	
	CHECKED	EC	21MAY13	
	ENG APPR.	TDH	03JUN13	
	COMMENTS:		TITLE: Parts List - CLASSIC 812 - Flanged Series Remote Sensor Assembly	
	SIZE	DWG. NO.	REV	
	B	D15-812-RAAXXX-RE	3	
	SCALE: NTS	WEIGHT:	SHEET 2 OF 2	

8 7 6 5 4 3 2 1

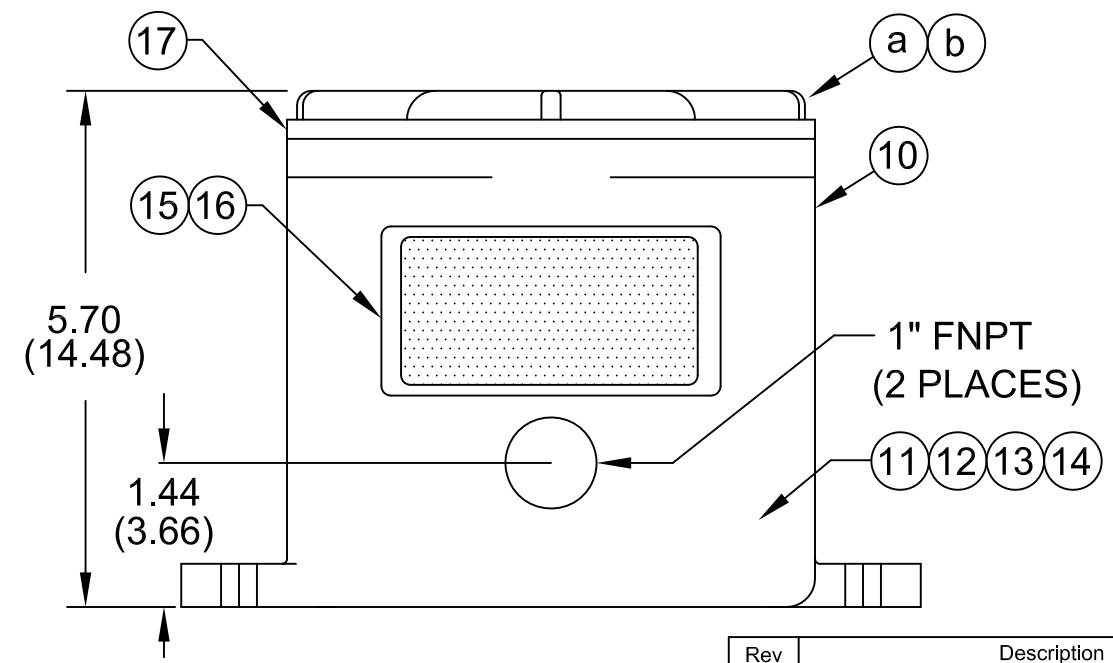
1" FNPT ELECTRONIC CONNECTION

FIELD WIRING

SENSOR ENCLOSURE



1" FNPT ELECTRICAL CONNECTION



Information contained in this document is confidential and proprietary information of Telematic Controls Inc. This document may not be reproduced or distributed for any reason without express written permission of Telematic Controls Inc. All rights of design, invention and copyright are reserved.

APPROVALS	DATE
DRN MW	13MAY13
CHKD EC	21MAY13
APP TDH	03JUN13

KAYDEN[®]
INSTRUMENTS

All dimensions are shown in inches with cm shown in brackets

TOLERANCES ARE:

DECIMALS	ANGLES
.X ± 0.1	±0.5°
.XX ± 0.02	
.XXX ± 0.007	

TITLE: CLASSIC Series Remote Electronics Flameproof Enclosure (CSA)


SIZE A3	DWG NO. 7730-0000-1-CSA	REV 0
SCALE NTS		SHEET 3 OF 4 (or 4 OF 5)

Rev	Description	App.	Date
0	Initial release	TDH	03Jun13

NOTES:
1. Wire according to connection diagram.

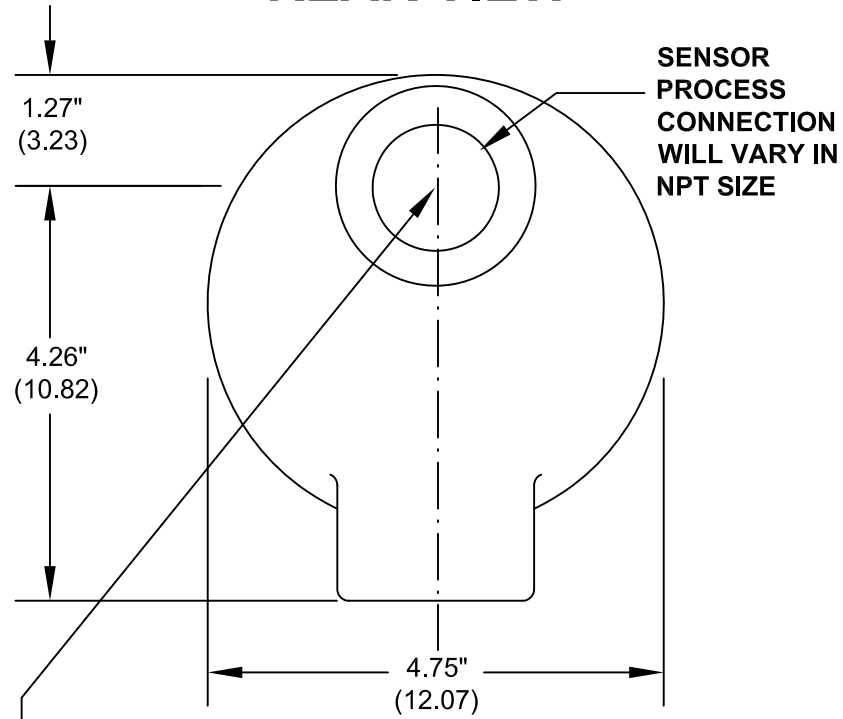
ITEM	DESCRIPTION	PART NUMBER	QTY
10	Flameproof Remote Enclosure	1409-1201	1
a	<input type="checkbox"/> Glass Lens Cover - Flameproof	1409-1208	1
b	<input type="checkbox"/> Blind Cover - Flameproof	1409-1207	1
11	Terminal Assembly	2511-0012	1
12	Ground Screw	2540-0023	1
13	CLASSIC Electronics Module (12-24 VDC, 115-230 VAC)	L10-800-C-E	1
14	Mounting Screws (316 SS)	2540-0007	2
15	Nameplate, Foil	2400-0007	1
16	Nameplate, Overlay	2401-0001	1
17	Cover Gasket	1499-1301	1

Information contained in this document is confidential and proprietary information of Telematic Controls Inc. This document may not be reproduced or distributed for any reason without express written permission of Telematic Controls Inc. All rights of design, invention and copyright are reserved.

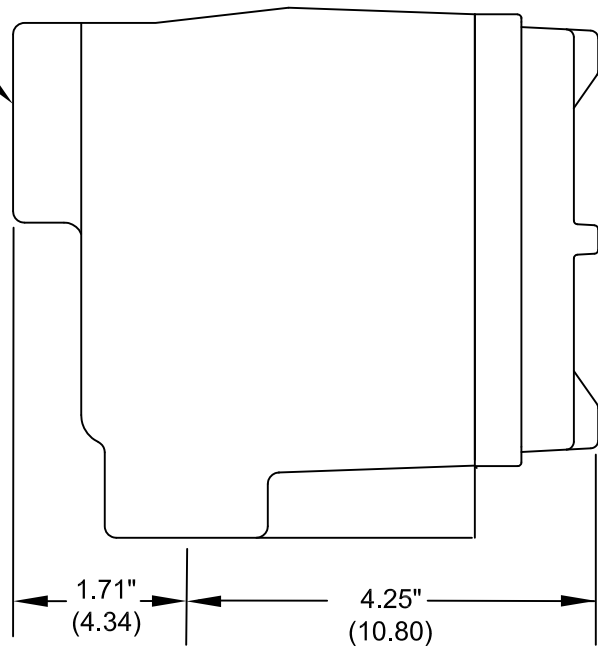
APPROVALS		DATE	
DRN	MW	13MAY13	
CHKD	EC	21MAY13	
APP	TDH	03JUN13	
All dimensions are shown in inches with cm shown in brackets TOLERANCES ARE: DECIMALS ANGLES .X ± 0.1 ±0.5° .XX ± 0.02 .XXX ± 0.007			TITLE Parts List - CLASSIC Series Remote Electronics Flameproof Enclosure (CSA)
SIZE A3	DWG NO.	7730-0000-2-CSA	REV 0
SCALE NTS		SHEET 4 OF 4 (or 5 OF 5)	

Rev	Description	App.	Date
0	Initial release	TDH	03Jun13

SENSOR AND REMOTE ENCLOSURE REAR VIEW



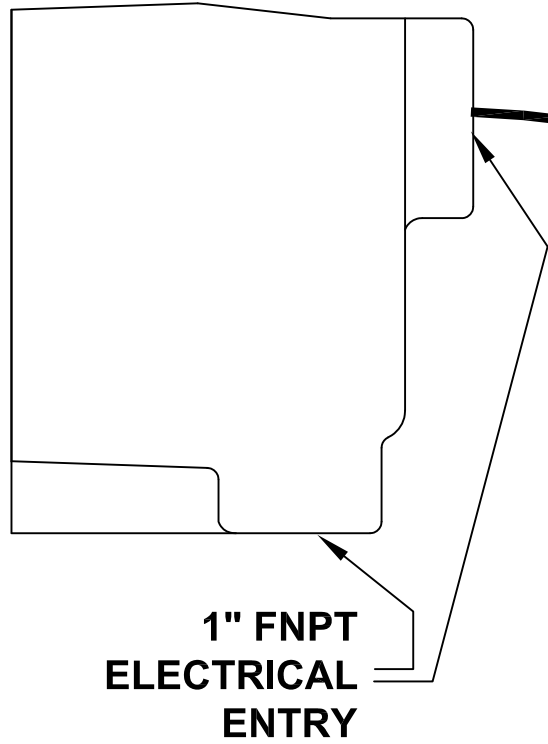
MOUNT SENSOR AND REMOTE ENCLOSURE USING FNPT ENTRY



NOTES:

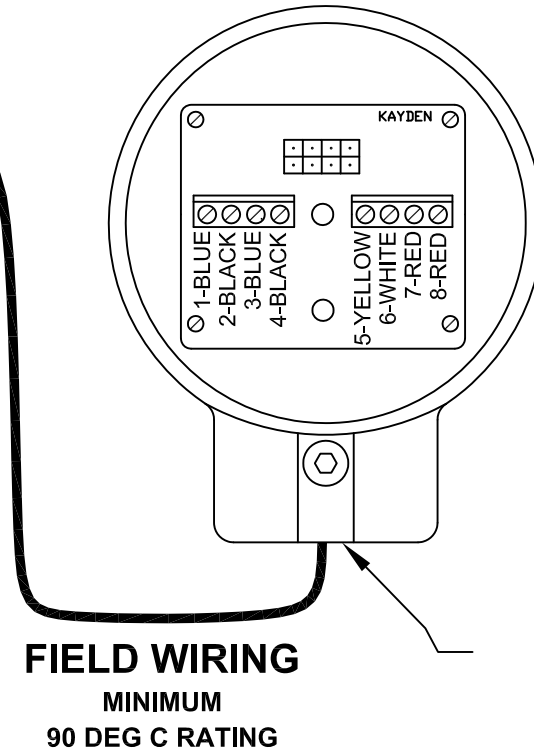
1. Wire sensor to remote according to connection diagram.

REMOTE ENCLOSURE SIDE VIEW



1" FNPT ELECTRICAL ENTRY

SENSOR ENCLOSURE FRONT VIEW




1" FNPT ELECTRICAL ENTRY

SENSOR AND REMOTE ENCLOSURE SIDE VIEW

Rev	Description	App.	Date
0	Initial release	TDH	03Jun13

Information contained in this document is confidential and proprietary information of Telematic Controls Inc. This document may not be reproduced or distributed for any reason without express written permission of Telematic Controls Inc. All rights of design, invention and copyright are reserved.

APPROVALS		DATE	
DRN	MW	13MAY13	
CHKD	EC	21MAY13	
APP	TDH	03JUN13	
All dimensions are shown in inches with cm shown in brackets TOLERANCES ARE: DECIMALS ANGLES .X ± 0.1 ±0.5° .XX ± 0.02 .XXX ± 0.007			TITLE CLASSIC Series Sensor and Remote Flameproof Enclosure (FM)
SIZE A3	DWG NO. 7730-0000-1-FM	REV 0	
SCALE NTS		SHEET 1 OF 1	