

6305

NON ROTATING TORQUE METER FOR RATCHET WRENCH

Non-rotating torque meter meant to be put between the ratchet and the wrench.

Model 6305 - 20 Nm



Features

- Broad range of capacities : from 50 Nm to 20 kNm
- Easy to install (standardized wrenches)
- Compact design
- Protection IP 54
- Material: alloy steel
- Cable length: 3m
- Available options (non exhaustive list):
 - o ATEX intrinsic safety Ex II 1GD Ex ia IIC T6 or T4 Ga Ex ia IIIC T80 C Da
 - o high service temperature (up to 180 °C)
 - o amplified output (V or mA) and digital output signal (RS-232C, RS-485, USB)
 - o double strain-gage bridge

Applications

The SENSY's load cell 6305 is perfectly designed to the following applications :

- Tightening torque control on ratchet wrench
- Tightening torque control on machines

Capacities

6305 : 50 - 100 - 300 - 750 - 1000 - 2000 - 20000 Nm

Specifications	0.25	
Combined error	< ± 0.25	% F.S.
Linearity error	< ± 0.25	% F.S.
Repeatability error	< ± 0.1	% F.S.
Creep error over 30 min.	< ± 0.1	% F.S.
Zero shift after loading	< ± 0.025	% F.S.
Reference temperature	23	C
Nominal temperature range	-10...+45	C
Service temperature range	-30...+70	C
Storage temperature range	-50...+85	C
Temperature coefficient of the sensitivity	< ± 0.05	% F.S./10 C
Temperature coefficient of zero signal	< ± 0.035	% F.S./10 C
Zero balance	± 0.02	mV/V
Sensitivity tolerance	< ± 0.3	%
Input resistance	352 ± 2	Ohm
Output resistance	352 ± 2	Ohm
Insulation resistance (50V)	> 5000	Megaohm
Reference excitation voltage	10	VDC
Nominal range of excitation voltage	3..12	VDC
Nominal sensitivity	1.5	mV/V
Safe load limit	120	% F.S.
Breaking load	>300	% F.S.
Static lateral force limit	10	% F.S.
Permissible dynamic loading	40	% F.S.

F.S.: full scale - Specifications subject to change without notice

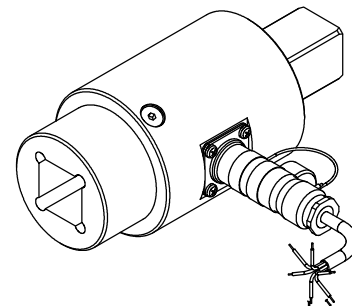
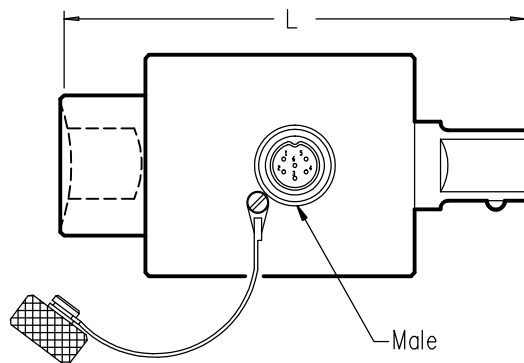
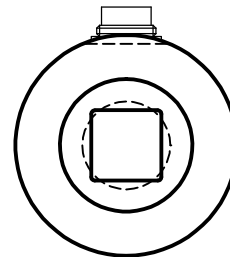
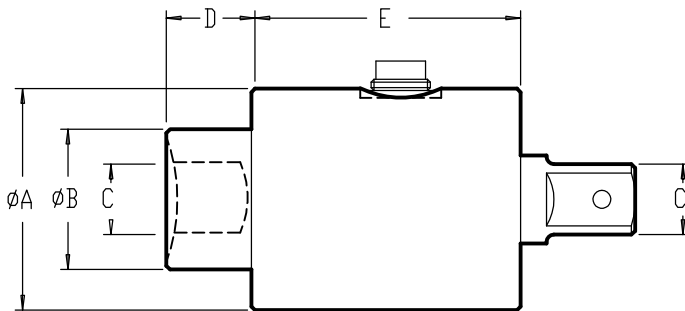
STATIC TORQUEMETER

model 6305 alloy steel
REACTION TORQUE TRANSDUCER

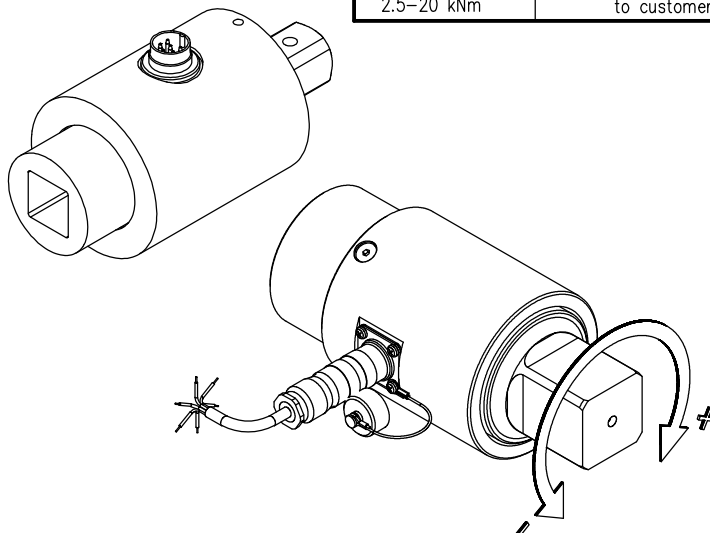
Range 50 Nm–20 kNm IP 54
Cable length : 3 m Overload 150 %



ATEX CERTIFIED



CAPACITIES	ØA	ØB	C	D	E	L
50 Nm	45	17.6	3/8"	10	47.5	75 mm
100 Nm	50	25	1/2"	16.5	73	127 mm /5"
300 Nm	60	38	3/4"	22	73	127 mm /5"
750 Nm	70	54	1"	30	82	155 mm
1-2 kNm	85	69	1 1/2"	38	95	185 mm
2.5-20 kNm	to customer design specifications					



CONNECTOR -CONNECTEUR DIN 45322

CONTACT N°	Color	French Color	Signal
1	Yellow	Jaune	Excitation -
4	Brown	Brun	Excitation +
2	Green	Vert	:Signal+
3	White	Blanc	:Signal-
5	Grey	Gris	Calibration
6	Pink	Rose	Calibration

Standard : Cable screen not connected to transducer
Option f : Cable screen connected to transducer

STATIC TORQUEMETER

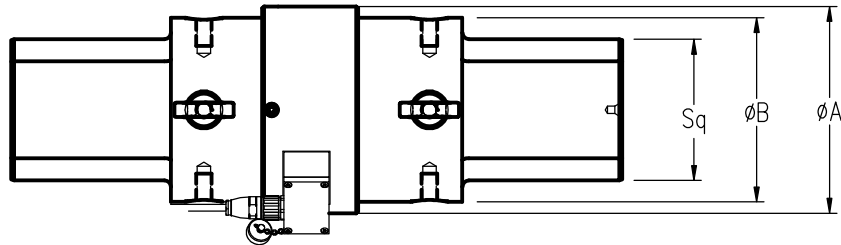
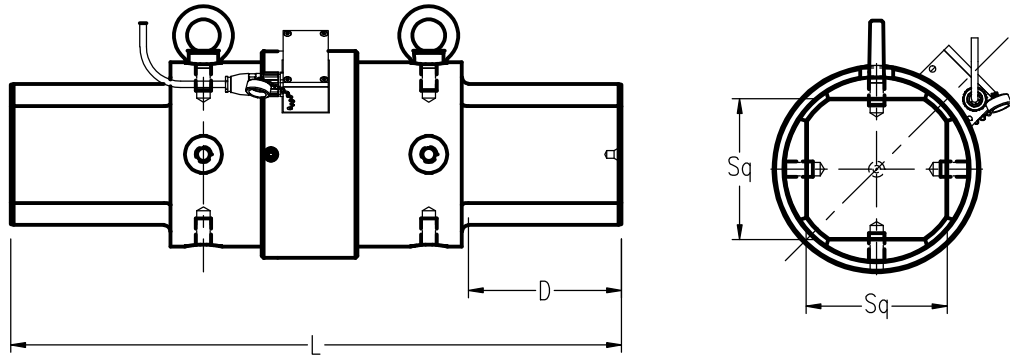
model 6300V stainless steel
 model 6305V alloy steel



ATEX CERTIFIED

REACTION TORQUE TRANSDUCER

Range 20 kNm–1.1 MNm IP 67
 Cable length : 3 m Overload 150 %



CAPACITIES	øA	øB	D	L	Sq	Weight
20 kNm	136	116	126	530	70	35 kg
110 kNm	220	196	163	650	150	140 kg
250 kNm	314	286	195	1000	200	440 kg
300 kNm–1.1 MNm	to customer design specifications					

