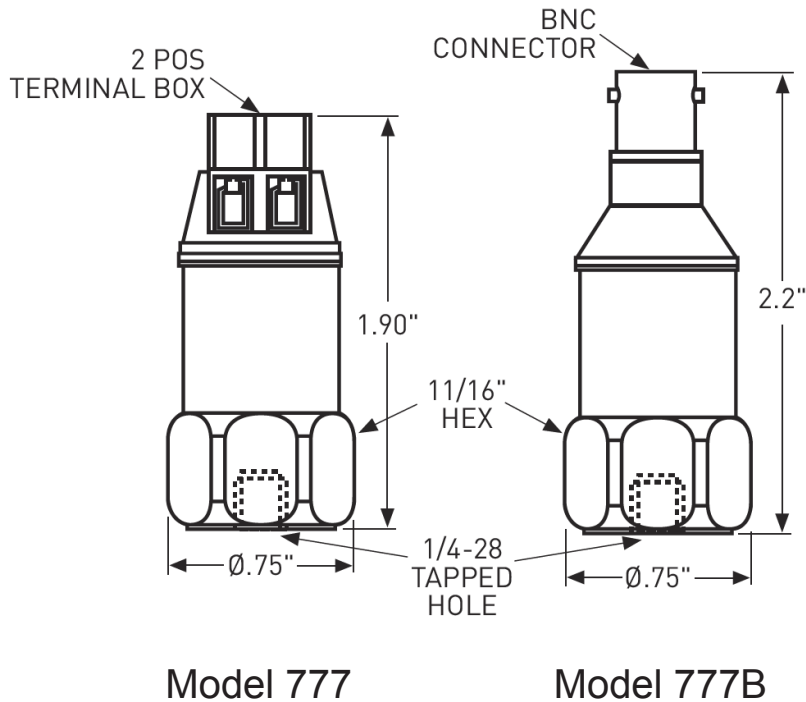


General purpose accelerometers 777 and 777B



Key features

- Ground isolated
- ESD protection



Connections				
Model	Connector pin	Power/Signal	Common	Mating connector
777	2-position terminal block	+	-	N/A
777B	BNC coaxial	center contact	shell	R2

Note: Due to continuous process improvement, specifications are subject to change without notice.
This document is cleared for public release.

Wilcoxon Sensing Technologies
20511 Seneca Meadows Parkway
Germantown, MD 20876
info@wilcoxon.com

Tel: (301) 330 8811
Fax: (301) 330 8873
www.wilcoxon.com

Wilcoxon Sensing Technologies
An Amphenol Company

General purpose accelerometers 777 and 777B

SPECIFICATIONS

Sensitivity, ±10%, 25° C	100 mV/g
Acceleration range	80 g peak
Amplitude nonlinearity	1%
Frequency response: ± 3 dB	0.5 - 12,000 Hz
Resonance frequency	30 kHz
Transverse sensitivity, max	5% of axial
Temperature response: -50° C +85° C	-10% +5%
Power requirement: Voltage source Current regulating diode	18 - 30 VDC 2 - 10 mA
Electrical noise, equiv. g:	
Broadband 2.5 Hz to 25 kHz	700 µg
Spectral 10 Hz	10 µg/√Hz
100 Hz	5 µg/√Hz
1,000 Hz	5 µg/√Hz
Output impedance, max	100 Ω
Bias output voltage	12 VDC
Grounding	case isolated (>10 ⁸ Ω at 100V), internally shielded
Temperature range	-50 to +85° C
Vibration limit	500 g
Shock limit, min	5,000 g
Electromagnetic sensitivity, equiv. g, max	70 µg/gauss
Sealing	IP66
Base strain sensitivity, max	0.0005 g/µstrain
Sensing element design	PZT, shear
Weight	75 grams
Case material	stainless steel
Mounting	1/4-28 UNF tapped hole
Output connector	see Connections table on page 1
Mating connector	see Connections table on page 1
Recommended cabling	J10

Contact

Wilcoxon Sensing
Technologies

20511 Seneca Meadows Parkway
Germantown MD 20876, USA

Tel: +1 301 330 8811
Fax: +1 301 330 8873

info@wilcoxon.com

www.wilcoxon.com

Accessories supplied:

- Protective vinyl boot (777 only)
- SF6 1/4-28 mounting stud

Accessories available:

SF6M 1/4-28 to M8
adapting stud

Note: Due to continuous process improvement, specifications are subject to change without notice.
This document is cleared for public release.

Wilcoxon Sensing Technologies
20511 Seneca Meadows Parkway
Germantown, MD 20876
info@wilcoxon.com

Tel: (301) 330 8811
Fax: (301) 330 8873
www.wilcoxon.com

Wilcoxon Sensing Technologies
An Amphenol Company