

HazLoc LED LUMINAIRE

Installation and Maintenance Manual

HazLoc L1703



TOP HI-TECH CO., LTD..
9F, NO.1, ZHONGSHAN ROAD
TUCHENG DIST. NEW TAIPEI
CITY, 23674, TAIWAN

Website:
<http://www.tht-ex.com/>
TEL: +886 2 22671234
FAX: +886 2 22691166

e-mail: sales@tht-ex.com

Subject to alterations

1. General Information

HazLoc L1703 LED Luminaires are suitable for use in the following hazardous (classified) areas as defined by the National Electrical Code (NEC) and Canadian Electrical Code (CEC):

- Class I, Division 2, Groups A, B, C, D
- Class II, Division 2, Groups F, G
- Wet Locations (UL 1598)

Refer to the luminaire nameplate for specific classification information, maximum ambient temperature suitability and corresponding operating temperature (T-Code).

indoors and outdoors environment.



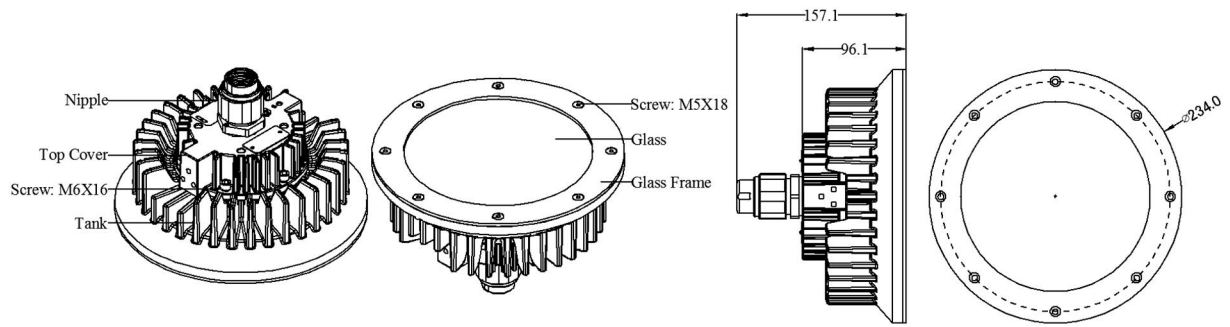
Rated Voltage : 120/277 Vac, 50 & 60 Hz
Ambient Temperature Range: -40°C ~ +40°C

HazLoc L1703 LED Luminaire is designed for using in

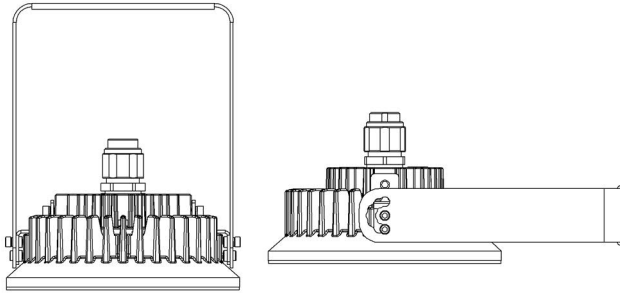
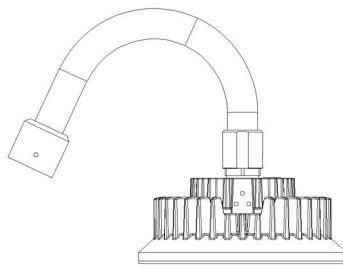
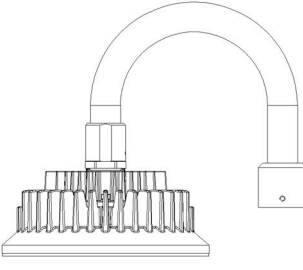
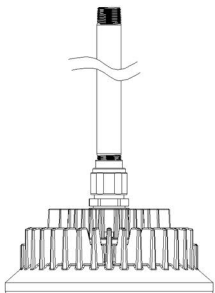
WARNING

- ▶ **To avoid the risk of fire, explosion or electric shock, this product should be installed, inspected and maintained by a qualified electrician only, in accordance with all applicable codes and regulations.**
- ▶ **To avoid electric shock:**
 - ✓ Be certain electrical power is OFF before and during installation and maintenance.
 - ✓ Luminaire must be supplied by a wiring system with an equipment grounding conductor.
- ▶ **To avoid explosion:**
 - ✓ Make sure that the supply voltage is the same as the luminaire voltage.
 - ✓ Do not install where the marked operating temperatures exceed the ignition temperature of the hazardous atmosphere.
 - ✓ Do not operate in ambient temperatures above those indicated on the luminaire nameplate.
 - ✓ All gasket seals must be clean and undamaged.
 - ✓ Use proper supply wiring as specified on the luminaire nameplate.
 - ✓ Before dismantling, electrical power to the luminaire must be turned off. Keep tightly closed when in operation.
- ▶ **To avoid burning hands, ensure the luminaire is cool when performing maintenance.**

2. Dimensions (All Dimensions in mm) – Subject to Alterations



3. Technical Data

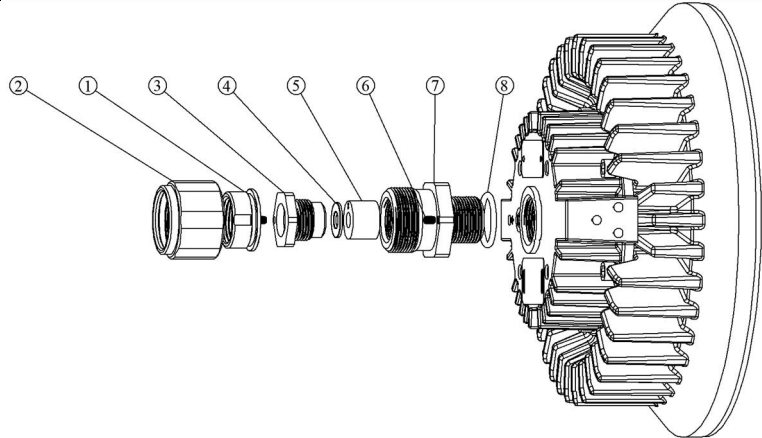
Item	Description		
Rated Voltage	120/277 Vac, 50 & 60 Hz (Note information on type label)		
Power Factor	$\cos \phi \geq 0.9$		
Ambient Temperature Range	-40°C ~ +40°C		
Material	Aluminum alloy		
Enclosure	Temperature-resistant pressed glass		
Glass			
LED Service Life	60,000 hrs		
Mounting Type / Weight	WHT Mounting		
			
	6.3 kg		
	Angle bending electrical tube mounting 25°	Angle bending electrical tube mounting 90°	Straight pendant electrical tube mounting
	 7.0 kg	 7.0 kg	 6.5 kg

4. Assembly and Installation

4.1 Electrical Connection

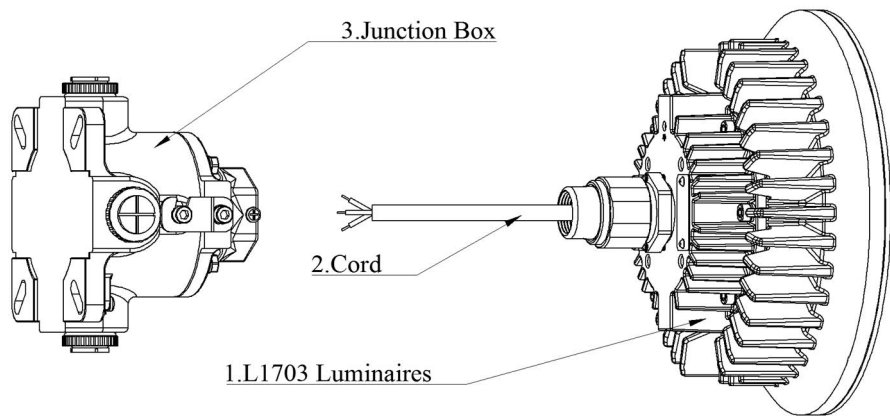
Overview of Connection Base

1: Connector	2: Sleeve	3: Pressure Nut	4: Washer
5: Tube	6: M4 Screw	7: Nipple Body	8: Nipple Body Gasket



Overview of Electrical Connection

1: L1703 Luminaire	2: Cord (Length: min, 24 inches)	3: Junction Box (Provide by customer)
--------------------	-------------------------------------	---



1. For luminaire model with suffix “WHT”: Insert the cord (2) through the conduit (not shown, provide in the field) into the Junction Box (3) (provide in the field).
2. For luminaire model with suffix “S25” and “S90” and “P90”: Insert the cord (2) through the integral mounting bracket and then through the conduit (not shown, provide in the field) into the Junction Box (3) (provide in the field).
3. Fix and Introduce the wires of luminary with the terminal post of Junction Box (White-wire connects to Neutral; Red-wire connects to Live; Green-wire connects to Ground.)

4.2 Mounting Bracket Installation

4.2.1 Two position Adjustable Trunnion (Wall & Ceiling) Mounting (WHT) - each position with one aiming angle - Secured to wall/ceiling surface (Lens facing down 90° from vertical = Lens horizontal facing down)

- ☞ The mount bracket is for surface mounting to wall (Figure 1) and ceiling (Figure 2).
- ☞ Position the bracket holders and secured by means of the provided M8 screws with 61 kgf-cm.
- ☞ Secure the wall/ceiling mounting bracket to the mounting surface by using four fasteners (not provided).
- ☞ The luminaire can be adjusted in one position as shown in Figures 1 and 2.

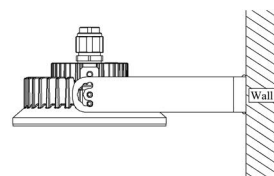


Figure 1

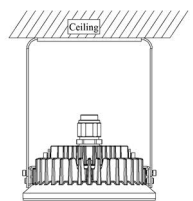


Figure 2

4.2.2 Bending Electrical Tube mounting (S90 & S25)

- ☞ Supplement for the Item 5.1 – Electrical Connection. The thread of entry hole of Connection Base is M25.
- ☞ Introduce the wires of the cord by attached closed-end-terminals as indicated in Item 5.1 – Electrical Connection.
- ☞ The bending electrical tube, one end secured to Nipple Body of Nipple (Adapter) Assembly by integral M35 female threads and with a setscrew; the other end provided with 1-1/2” NPT female threads for connecting with conduit by AHJ.
- ☞ Thread the tube mounting on conduit and torque until wrench-tight with 6600 kgf-cm.
- ☞ Tighten tube locking setscrew to conduit, 1.0 N-m. (Figures 3, 4)

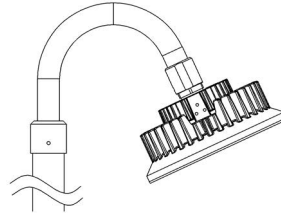


Figure 3

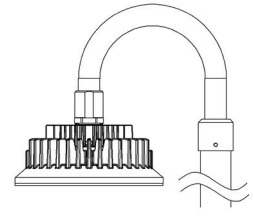


Figure 4

4.2.3 Straight Electrical Tube Mounting (P90)

- ☞ Supplement for the Item 5.1 – Electrical Connection. The thread of entry hole of Connection Base is NPT 3/4”.
- ☞ Introduce the wires of the cord by attached closed-end-terminals as indicated in Item 5.1 – Electrical Connection.
- ☞ The straight electric tube, one end secured to Connector of Nipple (Adapter) Assembly by integral 3/4” NPT male threads and with a setscrew; the other end provided with 3/4” NPT male threads for connecting with conduit by AHJ.
- ☞ Thread the tube mounting on conduit and torque until wrench-tight with 1500 kgf-cm.
- ☞ Tighten tube locking setscrew to conduit, 1.0 N-m. (Figure 5)

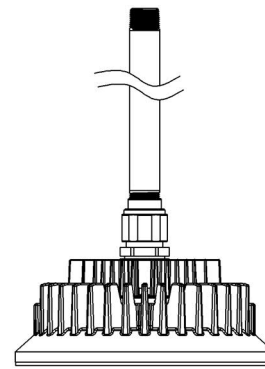


Figure 5

4.3 Putting into Service

Before putting into operating, it's necessary to ensure that:

- ☞ the lighting is correctly installed.
- ☞ the connection has been correctly made.
- ☞ the field wiring has been inserted correctly.

5. Maintenance

- ▶ To avoid personal injury, disconnect power to the light and allow the unit to cool down before performing maintenance.
- ▶ Perform visual, electrical, and mechanical inspections on a regular basis. The environment and frequency of use should determine this. However, it is recommended that checks be made at least once a year. Frequency of use and environment should determine this. It is recommended to follow an Electrical Preventive Maintenance Program as described in the National Fire Protection Association Bulletin NFPA No. 70B: Recommended Practice for Electrical Equipment Maintenance.
- ▶ The lens should be cleaned periodically to ensure continued lighting performance. Clean the lens with a clean, damp, non-abrasive, lint-free cloth. If this is not sufficient, use a mild soap or a liquid cleaner. Do not use an abrasive, strong alkaline or acid cleaner as damage may occur.

- ▶ Inspect the cooling fins on the luminaire to ensure that they are free of any contamination (i.e. excessive dust build-up). Clean with a non-abrasive cloth if needed.
- ▶ Electrically check to make sure that all connections are clean and tight.
- ▶ Mechanically check that all parts are properly assembled.

6. Transport, Storage and Disposal

- ▶ Transport and storage is only allowed in the original packaging, on the way pointed out on the carton box.
- ▶ Transport – Shock-free in its original carton, do not drop, and handle carefully.
- ▶ Store – Store in a dry place in its original packaging.
- ▶ Disposal – Ensure environmentally friendly disposal of all components according to the legal regulations.