

- 4 TO 20 mA INPUT, LOOP POWERED
- 4 DIGIT LED DISPLAY IN ENGINEERING UNITS
- CHOICE OF COPPER-FREE ALUMINUM OR SS316 DUAL COMPARTMENT ENCLOSURE
- EXPLOSION PROOF CERTIFIED
- WALL OR PIPE MOUNTING
- 3 YEAR WARRANTY



Introduction

IME Model 9080MK Loop Powered Digital Indicators allow the process variable from any 4~20 mA current source to be monitored. Since the unit derives its power from the loop, no additional power supply or wiring is needed. Because of its low voltage drop (3.7 Volts at 20mA), it can be incorporated into almost any 2 wire loop, where local indication of a process variable is needed, because the integral transmitter indicator is inaccessible to view or is at a different location.

Description

IME Model 9080MK Indicators are designed for use in process industries where vibration, inclement weather and corrosive atmospheres prevail. The electronics are enclosed in a copper-free epoxy coated Aluminum housing and for more aggressive environments, a SS316 housing is optionally available. The housings meet the requirements of NEMA 4X & IP68, and are also certified Explosion Proof by FM(US & CANADA) and ATEX/IECEX.

LED Meter

IME Model 9080MK has 4 digit display and can be configured to read from -999 to 9999 with a 4~20 mA input signal. The decimal point location can be adjusted using the keyboard, eliminating all potentiometric adjustments.

Mounting

IME Model 9080MK can be wall mounted or mounted on a 2" pipe. For mounting the unit on a wall or 2" pipe, a wide choice of stainless steel mounting brackets are also available. (See detailed information of mounting bracket on page 3)

Certification System

	II 2G D Ex d IIC T6 Gb Ex tb IIIC T85°C Db IP68 Ta = -40°C to +60°C	
--	--	--

	Ex d IIC T6 Gb Ex tb IIIC T85°C Db IP68 Ta = -40°C to +60°C
--	---

	CLASS I, DIV I GROUPS B, C AND D CLASS II/III, DIV I GROUPS E, F AND G NEMA 4X, T6
--	--

Functional Specifications

Indication Accuracy

0.1% of calibrated range ± 1 digit

Calibration

Keyboard on the front panel

Display Height

10mm (0.4") high

Stability Over Time

0.1% of calibrated range ± 1 digit over 6 months

Over Range Indication

Indication of "ERRH" on display

Response Time

Typically 20 ms

Failure Mode

Failure will not affect the loop integrity

Voltage Drop

3.7V at 20mA

Operating Temperature

-40°C to +60°C

Weight

1.6Kg (3.5 lbs) for Aluminum Unit and 3.0Kg (6.4 lbs) for SS316 Unit

Material of Construction of Enclosure

Epoxy coated Copper-Free Aluminum or SS316 as specified

O Rings

Buna N (Nitrile)

Optional Accessories

Mounting Brackets (Model 175TR, 175RC)

See page 3

Ordering Information

See page 2 for complete ordering information.

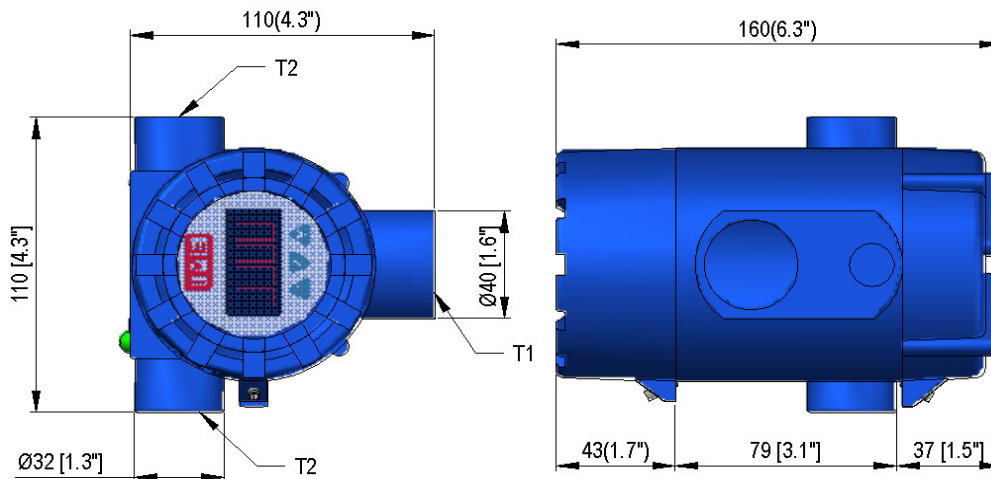
INTERNATIONAL METAL ENGINEERING

ORDERING INFORMATION FOR LOOP POWERED INDICATOR

Model	Description					
9080MK	Field Mounted LED Loop Powered Indicator					
	Code	Options, Housing				
	A	Die cast Aluminum, Epoxy Coated				
	T	SS316, Electro Polished				
	Code	Instrument Connection (T1)	Conduit Size (T2)			
	04	None	¾"NPT			
	05	None	½"NPT			
	06	None	M20 x 1.5P			
	07	None	M25 x 1.5P			
	Code	Certification				
	NN	None				
	E1	FM(C+US) / ATEX / IECEx Explosion Proof Certified, NEMA 4X, IP68.				
	E2	ATEX / IECEx Explosion Proof Certified, IP68.				
	E3	FM(C+US) Explosion Proof Certified, NEMA 4X.				
	Code	Accessories				
	RC	Model 175RC Mounting Bracket				
	TR	Model 175TR Mounting Bracket				
	Code	2 Inch "U" Bolt with Nuts and Washers				
	00	None				
	01	Model 17508, 1 Set (For Model 175RC)				
	02	Model 17508, 2 Sets (For Model 175TR)				
9080MK	A	04	E1	RC	01	← Typical Model Number

Note:

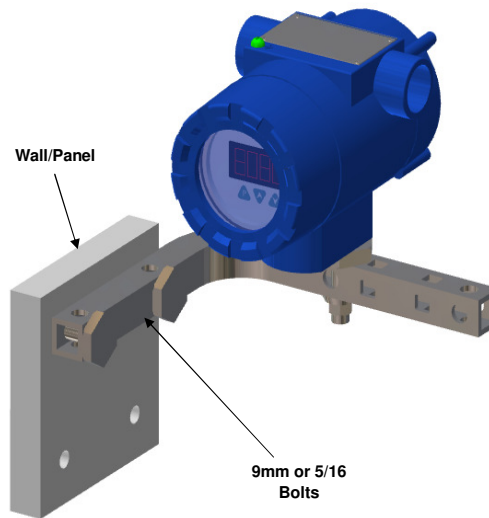
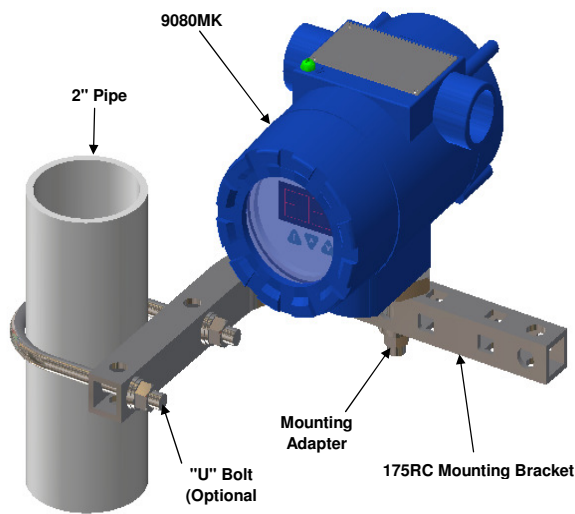
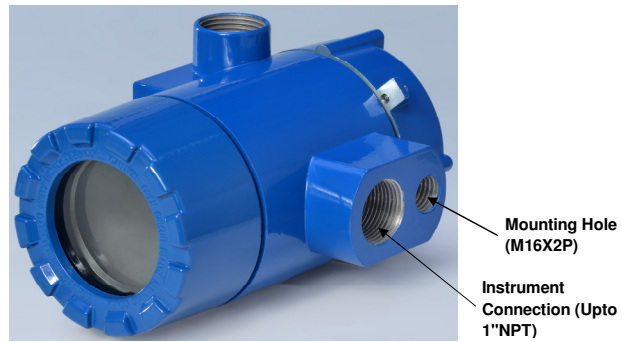
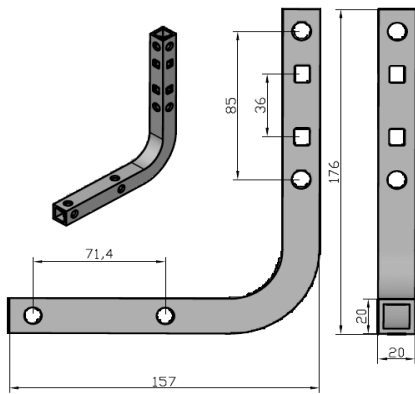
- Ports with M16 x 2P thread are not through holes, they are for Mounting only.



Mounting Brackets

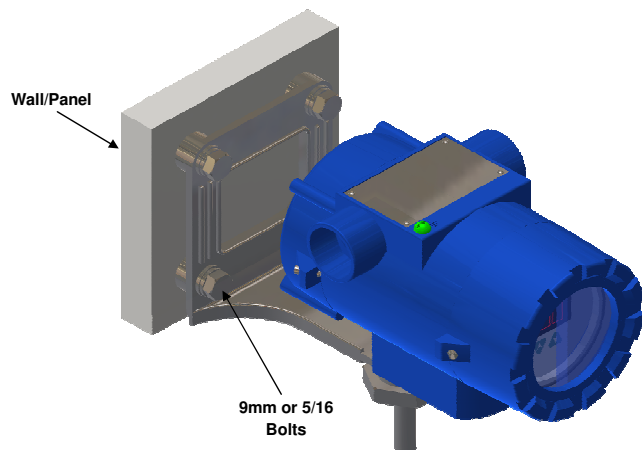
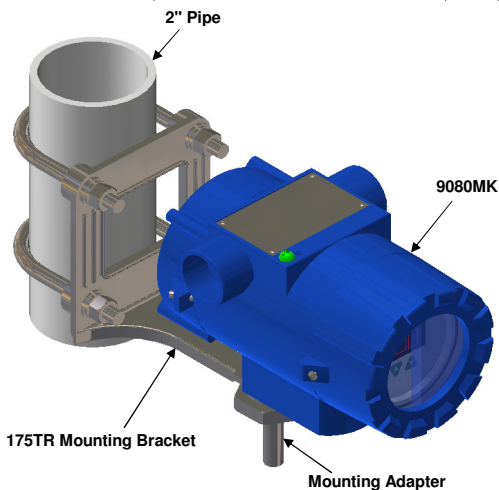
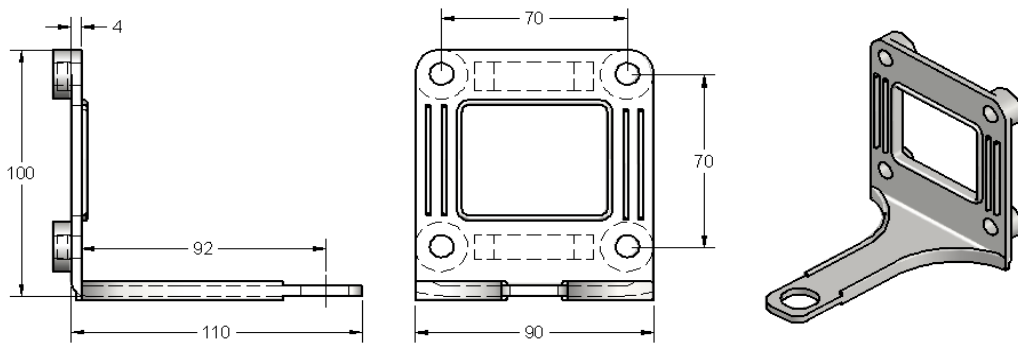
The Model 175 RC

This simple hollow square mounting bracket constructed out of SS316 Stainless Steel, can be used to mount a variety of field devices, either on a wall or panel or a 2" Pipe. When mounting on a 2" pipe, a "U" Bolt is required, which can be supplied optionally.



The Model 175 TR

IME MODEL 175TR is Stainless Steel low cost Mounting Brackets made exclusively for IME MODEL 9080MK Instrument Enclosure to mount either on a wall or panel or a 2" Pipe. The 175TR is symmetrical, so it can be rotated 90° to suit the viewing position of the Indicator/Transmitter.



Vertical pipe positioning

Wall or Panel positioning