

MODEL 8080 EXPLOSION PROOF INSTRUMENT ENCLOSURE

- NEMA 4X OR IP68 CONSTRUCTION
- EXPLOSION PROOF CERTIFIED
- CHOICE OF SS316 AND COPPER-FREE ALUMINUM
- CHOICE OF TEMPERED GLASS COVER OR BLIND COVER
- WIDE SELECTION OF CONDUIT SIZES
- PROVISION FOR MOUNTING BRACKET FOR WALL/PANEL AND 2" PIPE



Introduction

Material of Construction:

Copper-Free Aluminum or SS316

Certification:

FM / CSA / ATEX / IECEx Explosion Proof Certified, NEMA 4X or IP68

Connections

1/2" NPT, 3/4" NPT, 1/2" BSP, 3/4" BSP, M20x1.5

Mounting Holes

See attached drawing

Surface Finishing

Sliver Paint / Epoxy Coated for Aluminum; Electro Polish for SS316

"O" Ring

Buna "N"


Weight


700g (1.6lbs) for Aluminum; 1400g (3.1lbs) for SS316


Accessories


Custom Designed name plate, Mounting Brackets

Certification System

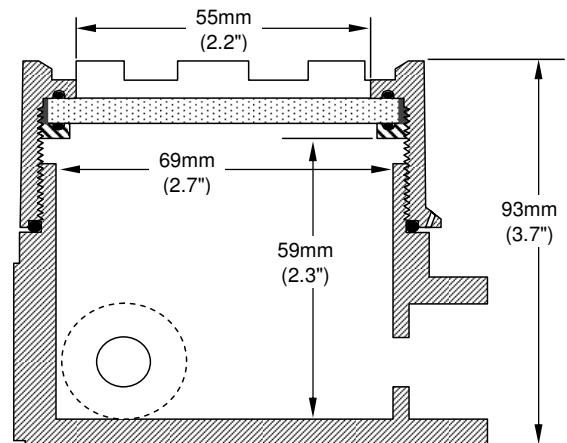
	CLASS I, DIV I GROUPS B, C AND D CLASS II, DIV I GROUPS E, F AND G NEMA 4X
---	--

	CLASS I, DIV I GROUPS B, C AND D CLASS II, DIV I GROUPS E, F AND G NEMA 4X
---	--

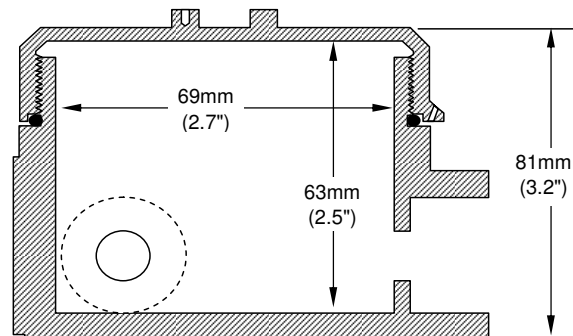
	I M2 Ex d I	or	II 2 G D T6 (85°C) Ex d IIC Ex A21 tD T85°C IP68 Ta = -40°C to +60°C
---	----------------	----	---

	Ex d I	or	Ex d II C T6 IP68 Ex A21 tD T85°C
---	--------	----	--------------------------------------

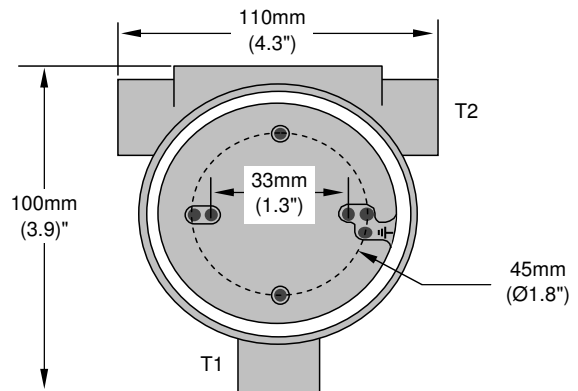
Dimensions



CROSS SECTION WITH GLASS COVER



CROSS SECTION WITH SOLID COVER



TOP VIEW OF HOUSING

MODEL 8080 EXPLOSION PROOF INSTRUMENT ENCLOSURE

Ordering Information

Model	Description
8080AN	General Purpose, Die Cast Aluminum, 3 Ports Instrument Enclosure With Blind Cover
8080AE	FM/CSA Explosion Proof Certified, NEMA 4X, Die Cast Aluminum, 3 Ports Instrument Enclosure With Blind Cover
8080AT	ATEX/IECEX Explosion Proof Certified, IP68, Die Cast Aluminum, 3 Ports Instrument Enclosure With Blind Cover
8080AM	FM/CSA/ATEX/IECEX Explosion Proof Certified, NEMA 4X, IP68, Die Cast Aluminum, 3 Ports Instrument Enclosure With Blind Cover
8080WN	General Purpose, Die Cast Aluminum, 3 Ports Instrument Enclosure With Tempered Glass Window
8080WE	FM/CSA Explosion Proof Certified, NEMA 4X, Die Cast Aluminum, 3 Ports Instrument Enclosure With Tempered Glass Window
8080WT	ATEX/IECEX Explosion Proof Certified, IP68, Die Cast Aluminum, 3 Ports Instrument Enclosure With Tempered Glass Window
8080WM	FM/CSA/ATEX/IECEX Explosion Proof Certified, NEMA 4X, IP68, Die Cast Aluminum, 3 Ports Instrument Enclosure With Tempered Glass Window
8080TN	General Purpose, SS316 Housing, 3 Ports Instrument Enclosure With Blind Cover
8080TE	FM/CSA Explosion Proof Certified, NEMA 4X, SS316 Housing, 3 Ports Instrument Enclosure With Blind Cover
8080TT	ATEX/IECEX Explosion Proof Certified, IP68, SS316 Housing, 3 Ports Instrument Enclosure With Blind Cover
8080TM	FM/CSA/ATEX/IECEX Explosion Proof Certified, NEMA 4X, IP68, SS316 Housing, 3 Ports Instrument Enclosure With Blind Cover
8080SN	General Purpose, SS316 Housing, 3 Ports Instrument Enclosure With Tempered Glass Window
8080SE	FM/CSA Explosion Proof Certified, NEMA 4X, SS316 Housing, 3 Ports Instrument Enclosure With Tempered Glass Window
8080ST	ATEX/IECEX Explosion Proof Certified, IP68, SS316 Housing, 3 Ports Instrument Enclosure With Tempered Glass Window
8080SM	FM/CSA/ATEX/IECEX Explosion Proof Certified, NEMA 4X, IP68, SS316 Housing, 3 Ports Instrument Enclosure With Tempered Glass Window

Code	Connection	
	T1	T2
01	M16 x 2P (for mounting bracket)	3/4" NPT
02	M16 x 2P (for mounting bracket)	1/2"NPT
03	M16 x 2P (for mounting bracket)	M20 x 1.5P (See note 1)
04	1/2"NPT	3/4" NPT
05	1/2"NPT	1/2"NPT
06	1/2"NPT	M20 x 1.5P (See note 1)
07	3/4" NPT	3/4" NPT
08	3/4" NPT	1/2"NPT
09	3/4" NPT	M20 x 1.5P (See note 1)
10	1/2"BSP (See note 2)	3/4" NPT
11	1/2"BSP (See note 2)	1/2"NPT
12	1/2"BSP (See note 2)	M20 x 1.5P (See note 1)
13	3/4" NPT	None
14	M20 x 1.5 P (See note 1)	None
15	M16 x 2P (for mounting bracket)	None
16	1/2"BSP (See note 2)	None
17	1/2"NPT	None

Code	Accessories
RC	IME Model 175RC Mounting Bracket
PM	IME Model 175PM Mounting Bracket
NR	IME Model 175NR Mounting Bracket

Code	2 Inch "U" Bolt with Locking Nuts and Washers, Stainless Steel
00	None
01	IME Model 17508, 1 Set (For IME Model 175RC)
02	IME Model 17508, 2 Sets (For IME Model 175PM & 175NR)

8080SE 01 RC 01 ← Typical Model Number

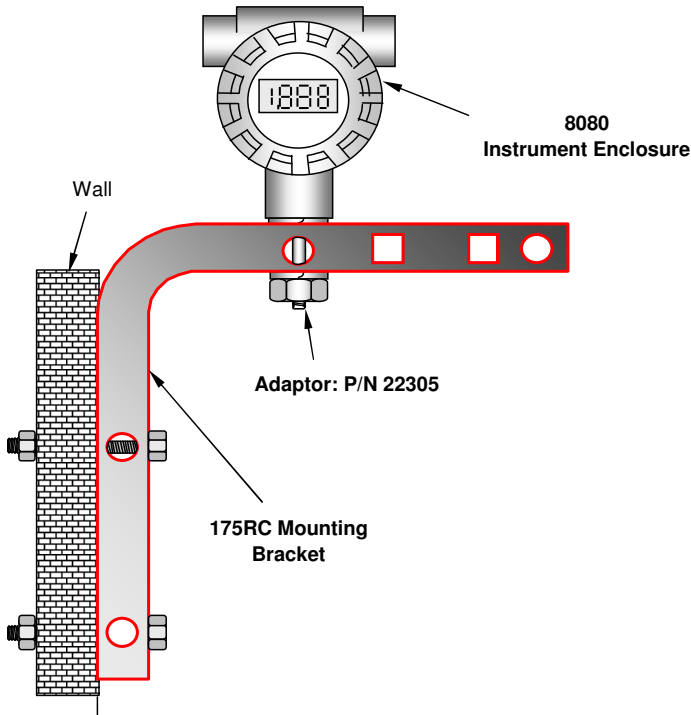
Note:

1. A temporary metric label is required when an M20 x 1.5P thread is selected. However this thread option is not allowed in Canada.
2. 1/2"BSP thread is not FM Approved.

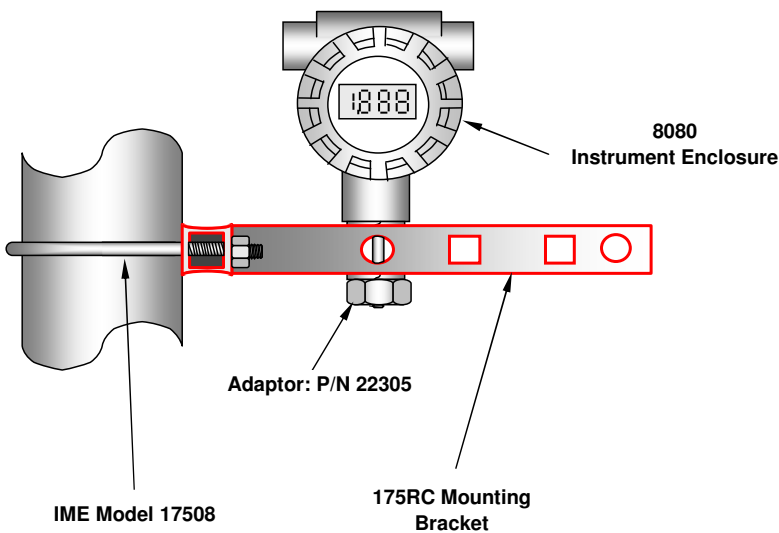
MOUNTING BRACKETS

IME MODEL 175RC

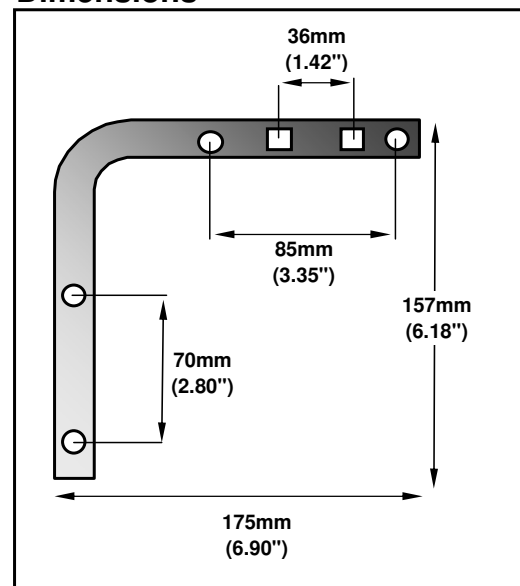
PANEL / WALL MOUNTING CONFIGURATION
 9 mm or 5/16 bolts for mounting bracket to wall or panel
 (Not Supplied)
 Adaptor P/N: 22305 (Optional)



2" PIPE MOUNTING CONFIGURATION
 2 Inch "U" Bolt with Nuts and Washers (Optional)
 Adaptor P/N: 22305 (Optional)



Dimensions



MOUNTING BRACKETS

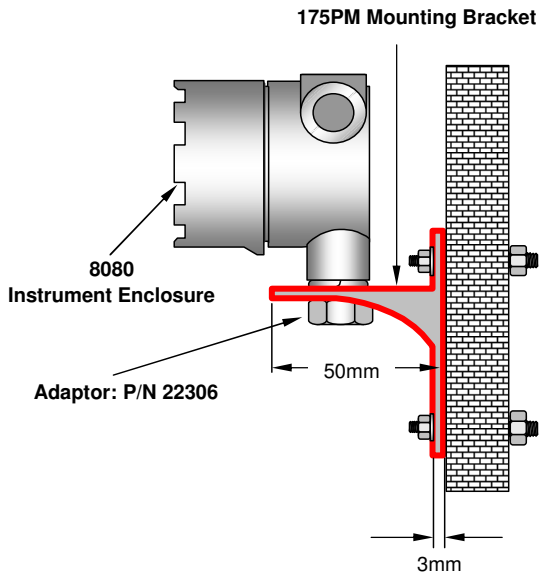
IME MODEL 175PM

PANEL / WALL MOUNTING CONFIGURATION

9 mm or 5/16 bolts for mounting bracket to wall or panel

(Not Supplied)

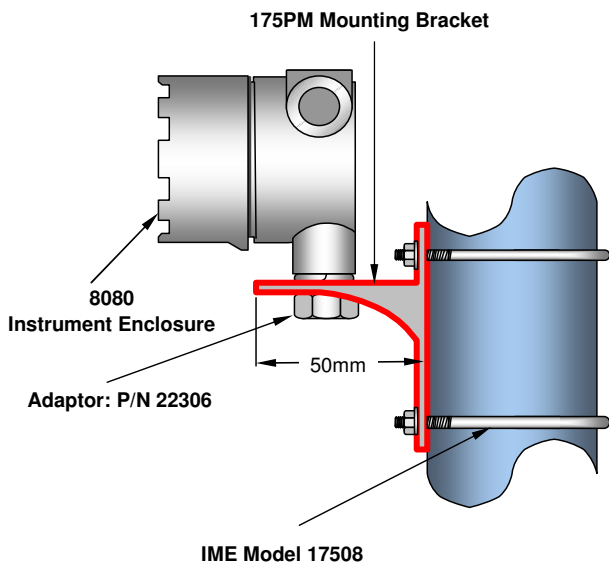
Adaptor P/N: 22306 (Optional)



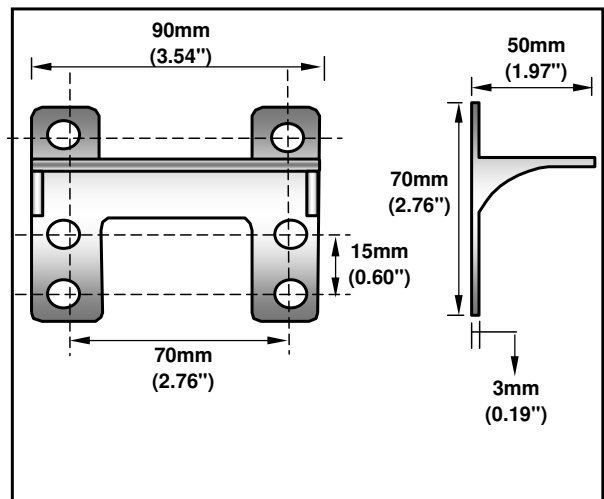
2" PIPE MOUNTING CONFIGURATION

2 Inch "U" Bolt with Nuts and Washers (Optional)

Adaptor P/N: 22306 (Optional)



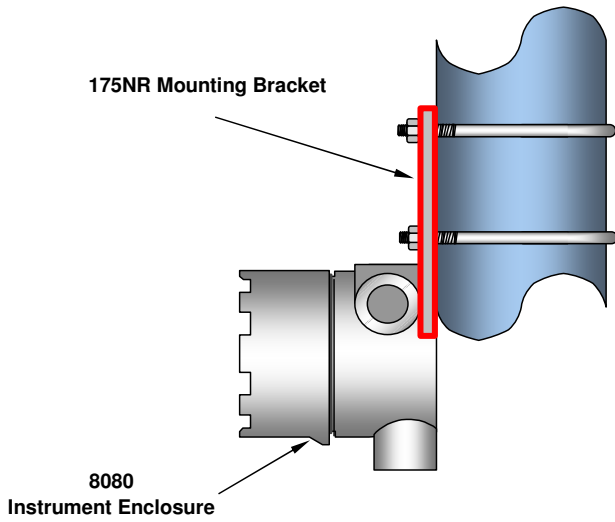
Dimensions



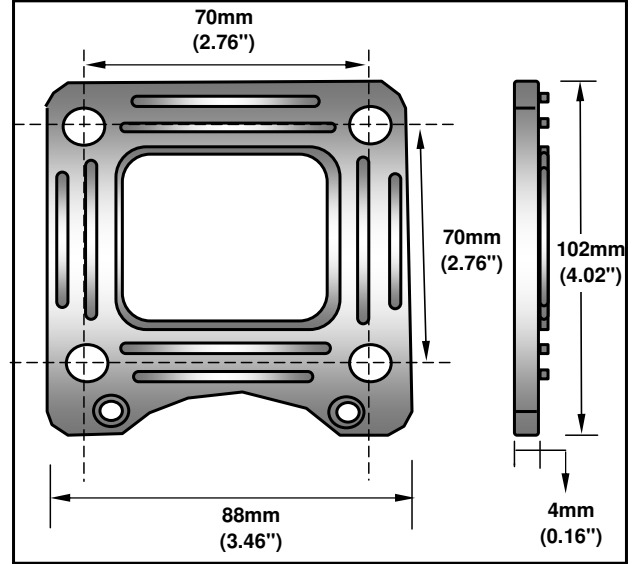
MOUNTING BRACKETS

IME MODEL 175NR

2" PIPE MOUNTING CONFIGURATION
2 Inch "U" Bolt with Nuts and Washers

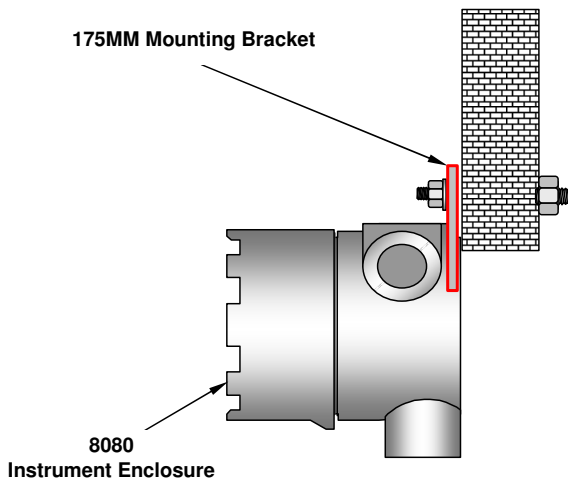


Dimensions



IME MODEL 175MM

PANEL / WALL MOUNTING CONFIGURATION
9 mm or 5/16 bolts for mounting bracket to wall or panel
(Not Supplied)



Dimensions

