

# Miniature Liquid Level Sensors Series LF



The LF Miniature Liquid Level sensors are designed for reliable operation in small tanks and containers. Their rugged design and multiple configurations make them the perfect solution for OEM and large volume applications.

## Features

- Compact size
- Low cost
- Reliability/long switch life
- Shock resistive construction
- Can be used in a wide range of liquids



# LFE Specifications and Options

Series

LFE

Model

LFE11P - **0A or 0B**  
LFE12P - **0A or 0B**

LFE11R - **1A or 1B**

Switch action for the LFE is nonreversible.  
Select A (NC) or B (NO)

## Performance

Pressure Rating	7 psi (0.5 bar)	145 psi (10 bar)
Minimum S.G.	0.9	0.7

## Environmental

Operating Temp.	14° to 194°F (-10° to 90°C)	
Liquids	Water	Hydraulic/lubricating oil

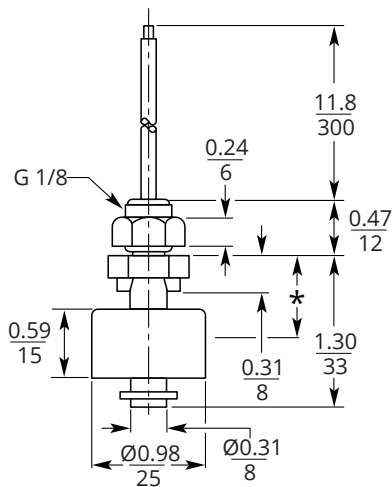
## Electrical

Switch Rating (Model)	<b>0A/0B</b>	<b>1A/1B</b>
Max Capacity	10 VA	50 VA
Nominal Current	0.1 A	0.17 A
Max Voltage	100 VAC	300 VAC
Life Expectancy	10 <sup>7</sup> (# of actuations)	
Lead Wires	#22 AWG, 11.8 or 39.4 in. (300 or 1000 mm)	

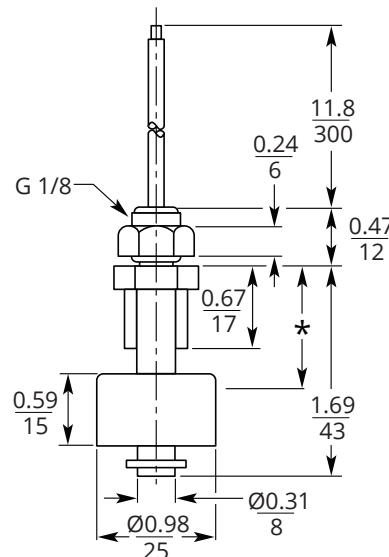
## Physical

Material	Polypropylene	
Stem	Polypropylene	
Float	Polypropylene	Buna
Retainer	316L SS	
Mounting	Vertical	

LFE11P / LFE11R



LFE12P



# LFP Specifications and Options

Series

LFP

Model

LFP-V-2A

LFP-V-2F

LFP-V-2PG

LFP-H-3

## Performance

Pressure Rating	145 psi (10 bar)	28.4 psi (1.96 bar)	7 psi (0.5 bar)	
Minimum S.G.	0.6	0.85	0.85	0.8

## Environmental

Operating Temp.	14° to 194°F (-10° to 90°C)	-4° to 248°F (-20° to 120°C)	14° to 194°F (-10° to 90°C)	
Liquids	Water	Corrosive Chemicals	Chemicals, food, potable water	Water

## Electrical

Max Capacity	50 VA			
Nominal Current	0.17 A	0.5 A	0.17 A	
Max Voltage	300 VAC/DC	200 VDC / 240 VAC	300 VAC/DC	
Life Expectancy	10 <sup>7</sup> (# of actuations)			
Lead Wires	#22 AWG, 11.8 or 39.4 in. (300 or 1000 mm)			

## Physical

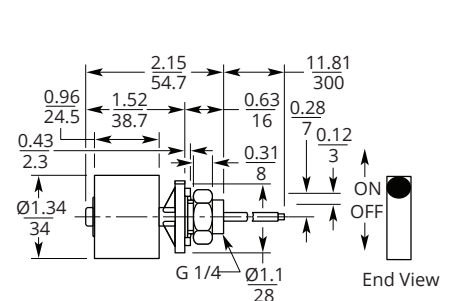
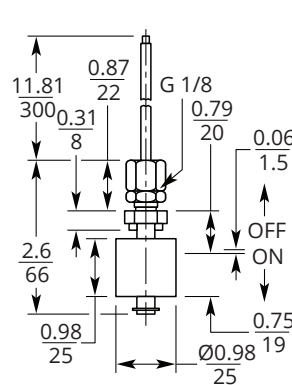
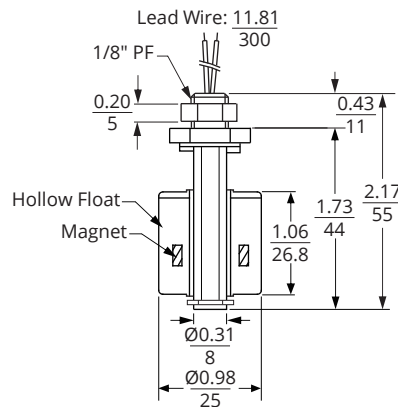
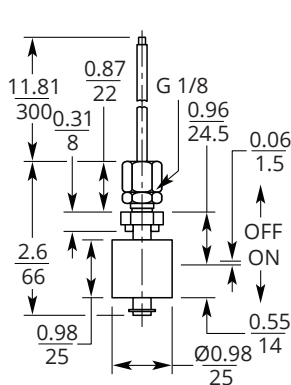
Material				
Stem	Polyacetal	PVDF	Polypropylene	
Float	Buna	PVDF	Polypropylene	
Retainer	316L SS	PVDF	Polypropylene	
Mounting	Vertical		Horizontal	

LFP-V-2A

LFP-V-2F

LFP-V-2PG

LFP-H-3



# LFP Specifications and Options

Series

LFP

Model

LFP-HE-P1

LFP-HE-N1

LFP-HE-P2

LFP-HE-N2



## Performance

Pressure Rating	7.25 psi (0.5 bar)
Minimum S.G.	0.8



## Environmental

Operating Temp.	14° to 175°F (-10° to 80°C)	14° to 230°F (-10° to 110°C)	14° to 175°F (-10° to 80°C)	14° to 230°F (-10° to 110°C)
-----------------	--------------------------------	---------------------------------	--------------------------------	---------------------------------



## Electrical

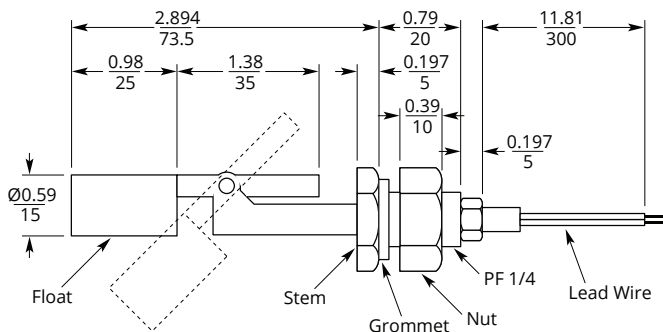
Max Capacity	50 VA / 50W
Max Current	0.5 A
Max Voltage	300 VAC/DC
Life Expectancy	10 <sup>7</sup> (# of actuations)
Lead Wires	#22 AWG, 11.8 or 39.4 in. (300 or 1000 mm)



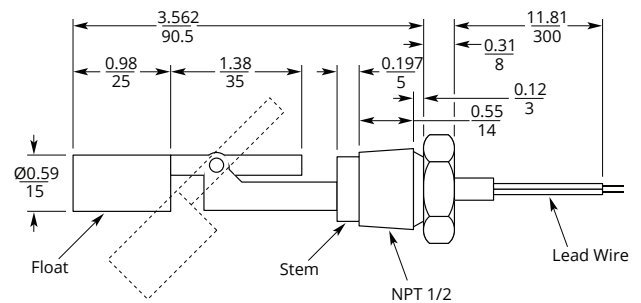
## Physical

Material				
Stem	Polypropylene	6-nylon	Polypropylene	6-nylon
Float	Polypropylene	6-nylon	Polypropylene	6-nylon
Retainer	Polypropylene	6-nylon	Polypropylene	6-nylon
Mounting	Horizontal			

LFP-HE-P1 / LFE-HE-N1



LFP-HE-P2 / LFE-HE-N2



# LFS Specifications and Options

Series

LFS

Model

LFS-V-5G

LFS-V-5UN

LFS-V-30

LFS-VE-S1



## Performance

Pressure Rating	142 psi (9.8 bar)		290 psi (20 bar)	
Minimum S.G.	0.7	0.8	0.55	0.8



## Environmental

Operating Temp.	4° to 248°F (-20° to 120°C)	14° to 212°F (-10° to 100°C)	14° to 248°F (-10° to 120°C)	14° to 390°F (-10° to 200°C)
-----------------	--------------------------------	---------------------------------	---------------------------------	---------------------------------

Liquids

Most liquids



## Electrical

Max Capacity	50 VA		15 VA	50 VA
Nominal Current	0.5 A	0.17 A	0.06 A	0.5 A
Max Voltage	240 VAC / 200 VDC	300 VAC	264 VAC	300 VAC/DC
Life Expectancy	10 <sup>7</sup> (# of actuations)		10 <sup>6</sup> (# of actuations)	
Lead Wires	#22 AWG (300 mm)	#22 AWG (300 or 1000 mm)	Silicon (0.3 mm) (400 mm)	#22 AWG (350 mm)



## Physical

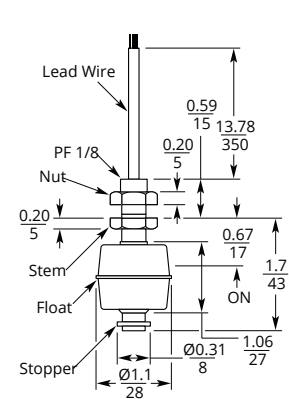
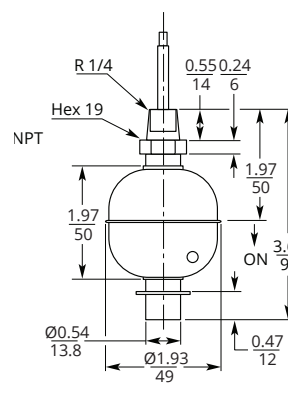
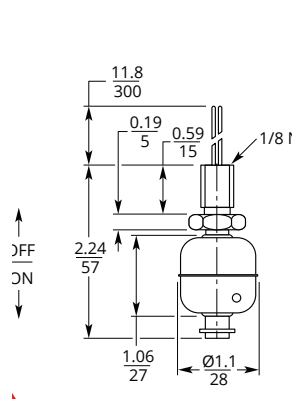
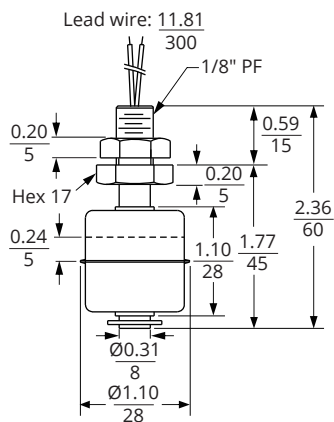
Material				
Stem	316L SS		304 SS	
Float	316L SS		304 SS	
Retainer	316L SS		304 SS	
Mounting	Vertical			

LFS-V-5G

LFS-V-5UN

LFS-V-30

LFS-VE-S1



# LFS Specifications and Options



Series

LFS

Model

LFS-VE-S2

LFS-H-10

LFS-H-25S/90

LFS-HE-S2

## Performance

Pressure Rating	145 psi (10 bar)	145 psi (10bar)	290 psi (20 bar)	72.5 psi (5 bar)
Minimum S.G.	0.8	0.6	0.8	0.8

## Environmental

Operating Temp.	14° to 245°F (-10° to 120°C)	14° to 248°F (-10° to 120°C)	14° to 212°F (-10° to 100°C)	14° to 250°F (-10° to 120°C)
Liquids	Chemical, Food, Potable Water			

## Electrical

Max Capacity	50 VA		
Nominal Current	0.5 A	0.17 A	0.5 A
Max Voltage	300 VAC/DC	300 VAC	300 VAC/DC
Life Expectancy	10 <sup>7</sup> (# of actuations)		
Lead Wires	#22 AWG (350 mm)	#22 AWG (300 mm)	#22 AWG (500 mm)

## Physical

Material			
Stem	316L SS		304 SS
Float	316L SS		304 SS
Retainer	316L SS		304 SS
Mounting	Vertical	Horizontal	

