



# L2106 Luminares

## For Use In Hazardous Locations

Lighting with Protection Guard  
4ft: 1384mm (36W)



2ft: 772mm (18W)



### Protection

- Class I, Division 2, Group A, B, C, D

### Standards

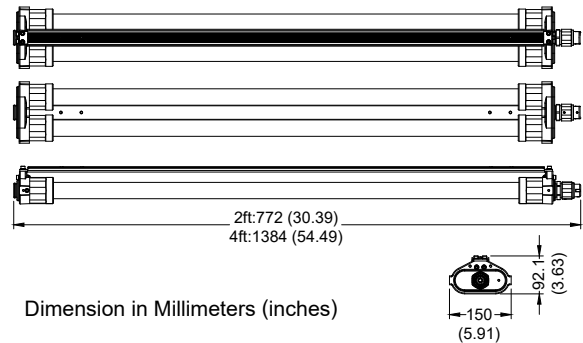
- UL 844
- UL 1598 Luminares

Net Weight: 2ft-3.2 kg (7.1 lb)  
4ft-5.6 kg (12.3 lb)



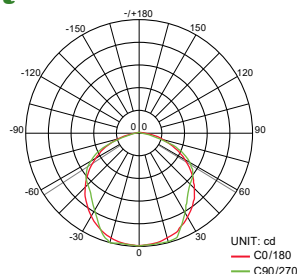
## Technical Data

Rated Voltage (±10%)	100V ~ 277V AC
Watts (±10%)	2ft: 18W / 4ft: 36W
Amps	18W: 0.06A~0.18A, 36W: 0.13A~0.36A
Color of LED Light	Warm White / Natural White / Daylight / Cool White
Ambient Temperature	-20°C ~ +40°C, T6
Power Factor	cos ≥ 0.9
CRI	Warm White ≥ 70 / Natural White ≥ 70 / Daylight ≥ 70 / Cool White ≥ 70
Lm / W (±10%)	≥ 100 lm
Beam Angle	X-110° / Y-110°
Frequency	50 / 60 Hz
Degree of Protection	IP67 / NEMA 6
Material	<ul style="list-style-type: none"> <li>• Enclosure: Aluminum Alloy</li> <li>• Lighting Tube: PC</li> </ul>
LED Service Life	50,000 hrs
Entrance Thread	M25

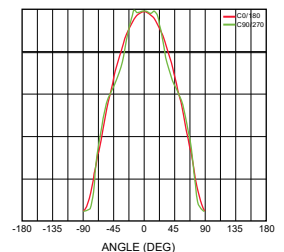


## Optical Report

Polar Luminous Intensity Distribution



Luminous Intensity Distribution Diagram

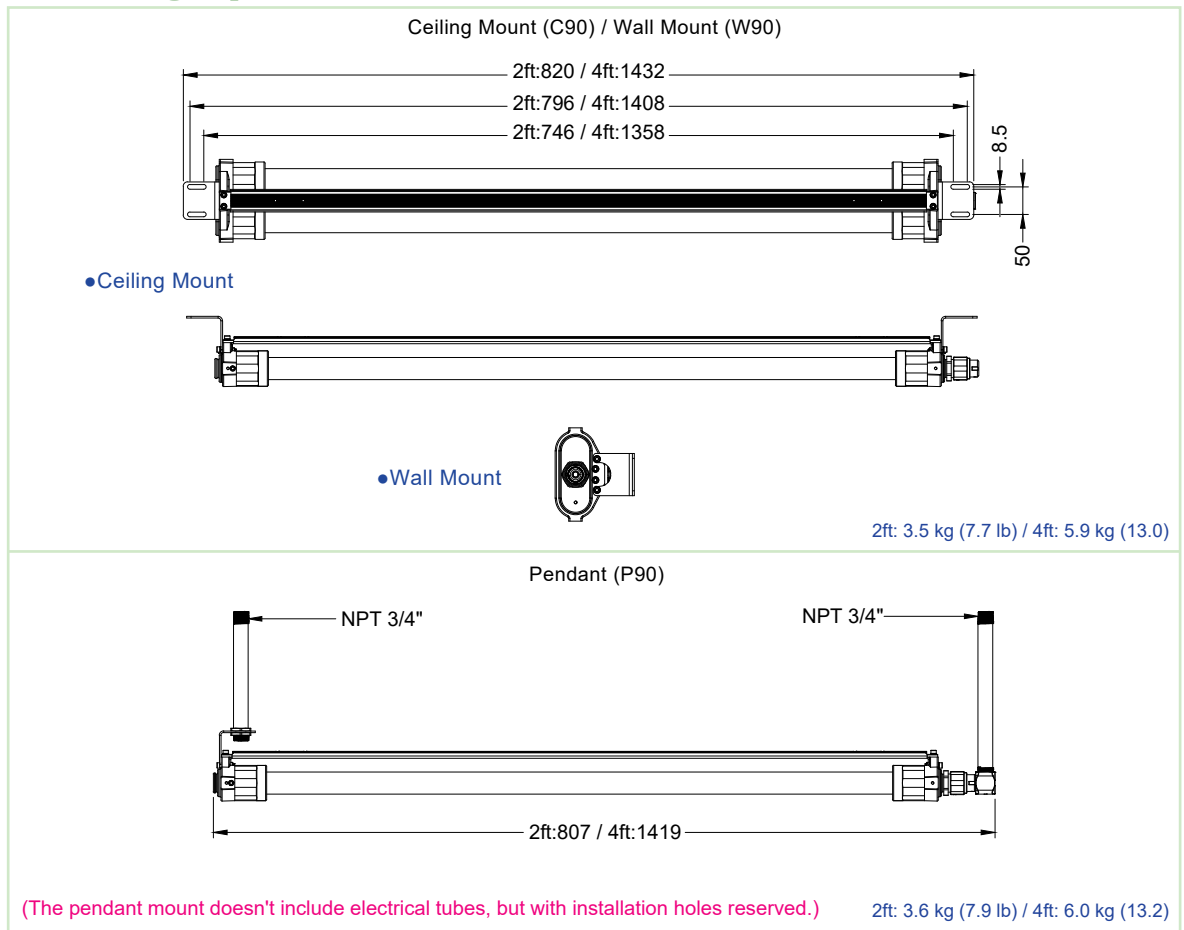


## Model Code

<b>THT</b>	<b>H</b>	<b>2106</b>	<b>D</b>	<b>D</b>	<b>W</b>	<b>H</b>	<b>C6</b>	<b>C90</b>	<b>G</b>
			①		②		③	④	⑤

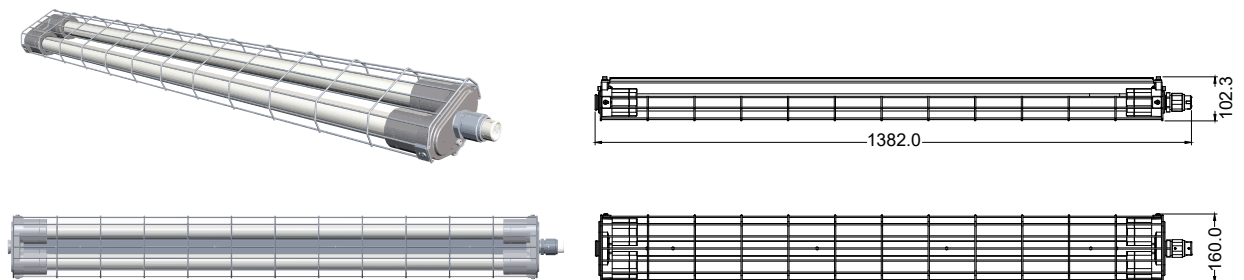
- ① **Size,**  
C=2ft  
D=4ft
- ② **C.C.T.,**  
W=Warm White  
N=Natural White  
C=Cool White  
D=Daylight
- ③ **Wattage,**  
A8=18W  
C6=36W
- ④ **Mounting Bracket Type,**  
C90=Ceiling Mount  
W90=Wall Mount  
P90=Pendant
- ⑤ **Optional Accessory,**  
R=Reflector  
G=Protection Guard  
(Keep the code blank if no accessory is needed.)

## Mounting Option & Dimensions (All in mm)



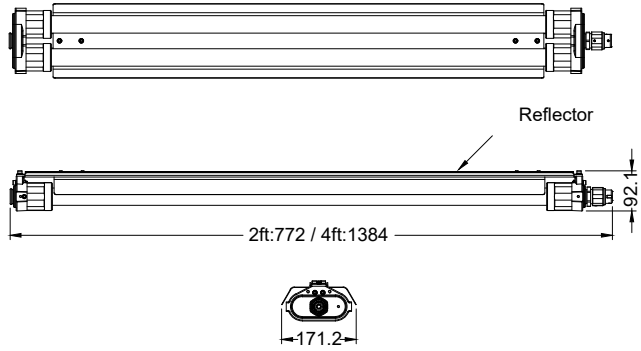
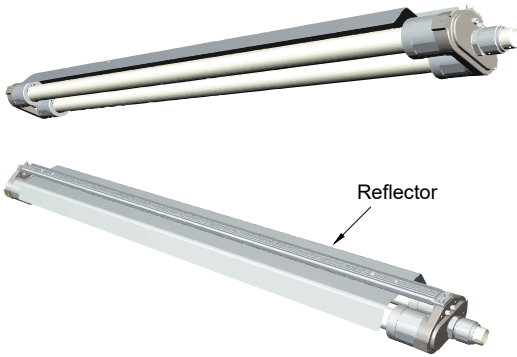
## Optional Accessory - Protection Guard

2ft:0.48 kg (1.1lb) / 4ft:0.87 kg (1.69lb)



## Optional Accessory - Reflector

2ft:0.9 kg (2.0lb) / 4ft:1.9 kg (4.2lb)



### Applicable Area

- Oil Refinery Complex
- Petrochemical Complex
- Painting Facility
- Transporting Nature Gas
- Transporting Liquefied
- Petroleum Gas
- Offshore Platform (Oil and Natural Gas)