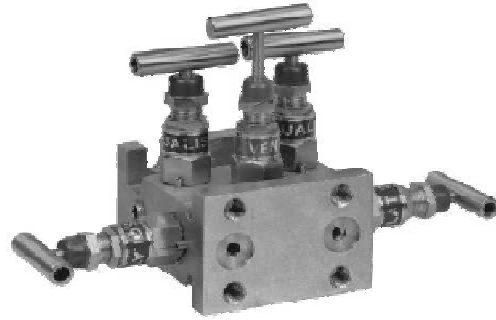


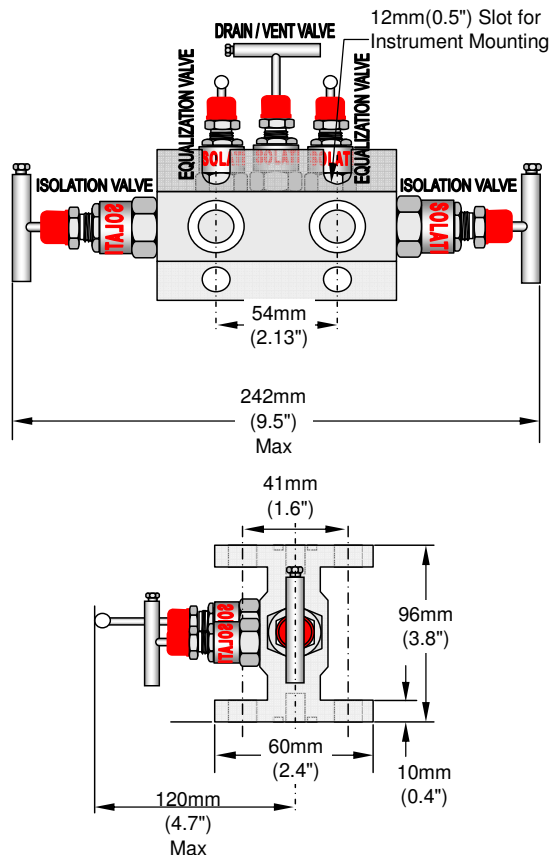
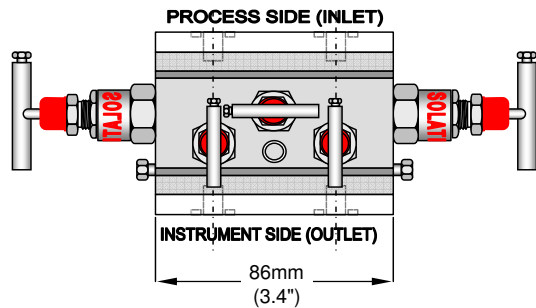
MODEL 501DF 5 VALVE MANIFOLD, DOUBLE FLANGED

- Pressures up to 6000psi
- Standard 2.13" center to center inlet/outlet
- 3/16" bore
- Wide choice of materials and options



Introduction

Model 501 Double Flanged 5 valve manifold, allows the pressure transmitter to be directly mounted, eliminating the need for additional piping, valves and fittings.



Specifications

Material of Construction:

SS316, Monel, Hastelloy

Test Pressure (at 25°C Room Temperature)

Hydrostatic:	Body	-	620Bar
	Seat	-	415Bar
Pneumatic:	Seat	-	40Bar

Gland Packing

PTFE	:	Standard
Graphoil	:	Temperatures Above 180°C

Finish

Natural

Connection:

Inlet	Outlet	Drain/Vent
Direct Mount	Direct Mount	1/4" NPT(F)

Mounting Kit

Mounting Bracket with "U" Bolts and Necessary kits for fitting on 2" NB Stanchion pipe stand or wall mount. (Order Separately)

Weight

7.72LBS (3.5Kg)

Accessories

Mounting Bolts, Teflon Rings

Order Information

Model	Description		
501DF	5 Valve Manifold, Double Flanged		
	Code	Inlet	Outlet
	00	Direct Mount	Direct Mount
	Code	Materials of Construction	
	S2	SS 316	
	CS	Carbon Steel	
	MN	Monel 400	
	HA	Hastelloy C	
	XX	Other (Specify)	
	Code	Packing Material	
	TF	Teflon	
	GR	Grafoil	
	XX	Other (Specify)	
501DF	00	S2	TF