

MLS Mechanical Float Level Sensor



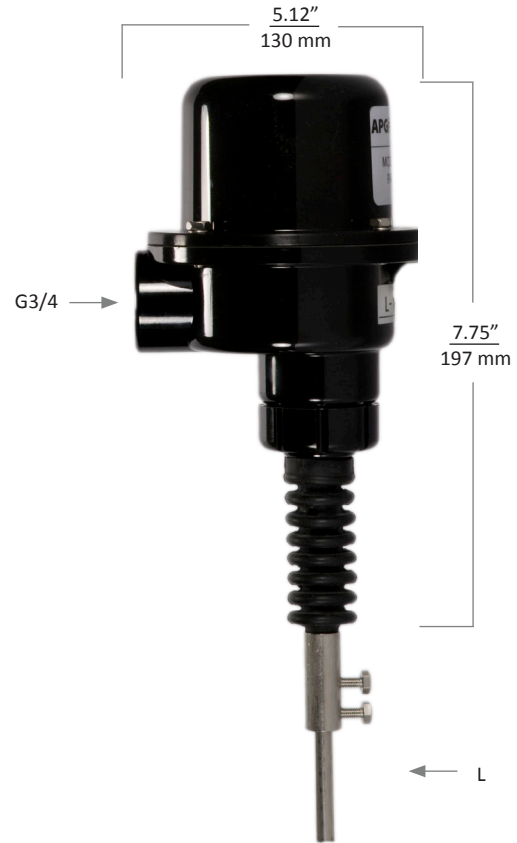
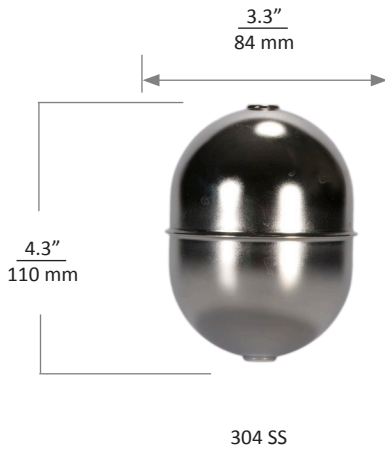
Flexible by Design

The MLS Mechanical Float Level sensor provides highly accurate and repeatable level readings in a wide variety of liquid level measurement applications. The large, buoyant and robust float of the MLS allows it to be used in harsh applications where fouling or buildup might otherwise be of concern.

Features

- Direct pump control
- Adjustable On/Off switching levels
- Simple installation
- Field adjustable probe length

MLS Specifications



Performance

- SPDT miniature switch

Connectivity

- Output Contact Rating:
250 V 10 A AC; 250 V 0.4 A DC (resistive)

Environmental

- Operating Temperature:
-32° - 176°F (0° - 80°C)
- NEMA 1, IP42

Certification

- NEMA 1, IP42

Physical

- Housing: Polycarbonate
- Stem: 304 SS
- Float: 304 SS
- Protective Bellows: Neoprene

Options

Part Number: MLS - 2S - -
 A B

A. Protective Bellows

- Null** Neoprene
- S** Silicone

B. Rod Length

- Null** 1000mm
- L** Specify rod length from 9.8 in. to 59 in. (250 mm - 1500 mm)
- 3** Dual 4-20 mA (loop powered 3 wire)