



CustomControlSensors

# Hazardous Areas Pre-Set / Adjustable Pressure Switch

## 675GES\* - Diaphragm Sensor



### DESCRIPTION

- Highly reliable and stable devices utilizing the CCS Dual-Snap® Belleville disc spring design pioneered by CCS.
- Aerospace-grade engineered technology.
- Convenient field set point adjustment.
- Vibration and shock resistant up to 20 G's.
- Technology tested to 1,000,000 cycles.
- High over-pressure capability. (System and Proof)
- Certified Explosion-proof hermetically sealed electrical assembly for environmental protection.

SHIPPING WEIGHT: APPROXIMATELY 22 OUNCES (624 GRAMS)

### SERIES:

675GES\*

### SET POINT RANGE:

#### GAGE PRESSURE:

0.2 to 31" H<sub>2</sub>O

0.5 to 77.2 mbar

0.05 to 7.72 kPa

### OPERATING TEMPERATURE:

Temperature limits change with o-ring selection.

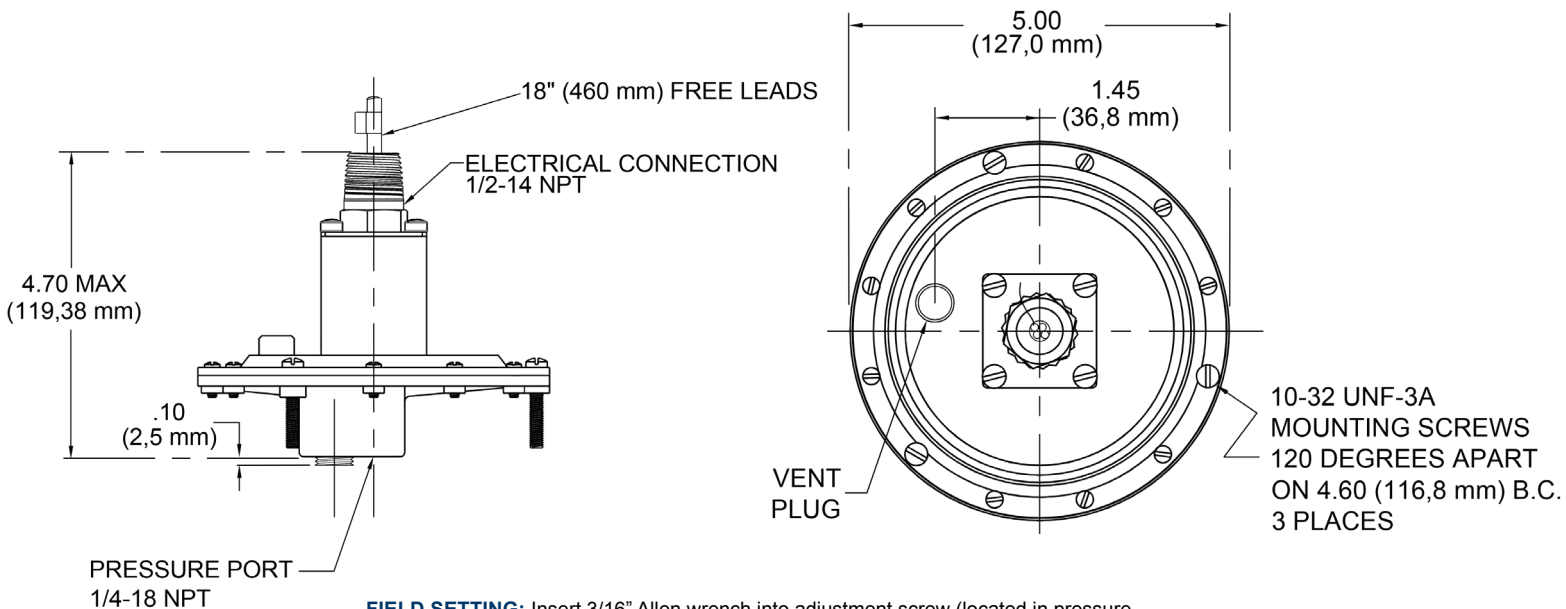
-40° to 186°F

-40° to 86°C

### STANDARD FEATURES:

- CE Mark
- CRN
- Dual Seal
- NEMA: 4, 7, 9, 13 / IP66
- U.L. / CSA Listed
- Hermetically Sealed Electrical Assembly

### INSTALLATION DRAWING



**FIELD SETTING:** Insert 3/16" Allen wrench into adjustment screw (located in pressure port). Clockwise to decrease settings. Counterclockwise to increase settings.

**NOTE:** DO NOT USE ELECTRICAL HEX FOR TORQUING.





CustomControlSensors

# Hazardous Areas Pre-Set / Adjustable Pressure Switch

## 675GES\* - Diaphragm Sensor

### OPERATING AND ORDERING DATA

SERIES 675GES*	WETTED PARTS: 1/4"-18 NPT ALUMINUM PRESSURE PORT, POLYIMIDE DIAPHRAGM, BUNA N O-RING					
	FIXED SET POINT RANGE (SPECIFY SET POINT ON ORDER)		APPROXIMATE DEAD BAND INCHES H <sub>2</sub> O (mbar)		MAX SYSTEM PRESSURE PSIG (mbar)	PROOF PRESSURE PSIG (mbar)
	INCREASING PRESSURE INCHES H <sub>2</sub> O (mbar)	DECREASING PRESSURE INCHES H <sub>2</sub> O (mbar)	AT BOTTOM OF RANGE	AT TOP OF RANGE		
675GE*1	2-31 (4.9-77.2)	0.2-28 (1.8-69.8)	1.5 (3.7)	3.0 (7.5)	10 (689)	25 (1724)
675GESM*1	3-31 (7.5-77.2)	0.2-28 (1.8-69.8)	1.5 (3.7)	3.0 (7.5)		
SERIES 675GES*800*	WETTED PARTS: 1/4"-18 NPT ALUMINUM PRESSURE PORT, POLYIMIDE DIAPHRAGM, BUNA N O-RING					
	ADJUSTABLE SET POINT RANGE		APPROXIMATE DEAD BAND INCHES H <sub>2</sub> O (mbar)	MAX SYSTEM PRESSURE PSIG (mbar)	PROOF PRESSURE PSIG (mbar)	
	INCREASING PRESSURE INCHES H <sub>2</sub> O (mbar)	DECREASING PRESSURE INCHES H <sub>2</sub> O (mbar)				
675GES*8001	2-6.9 (4.9-17.2)	0.2-5.1 (0.5-12.7)	1.5 (3.7)	10 (689)	25 (1724)	
675GES*M8001	3-6.9 (7.5-17.2)	0.2-5.1 (0.5-12.7)	1.5 (3.7)			
675GES*8002	7-12.9 (17.4-32.1)	5.5-11.4 (13.7-28.4)	1.5 (3.7)			
675GES*M8002	7-12.9 (17.4-32.1)	5-10.9 (12.4-27.2)	2.0 (5.0)			
675GES*8003	13-18.9 (32.4-47.1)	11-16.9 (27.4-42.1)	2.0 (5.0)			
675GES*M8003	13-18.9 (32.4-47.1)	10.8-16.7 (26.9-41.6)	2.0 (5.5)			
675GES*8004	19-24.9 (47.3-62)	16.5-22.4 (41.1-55.8)	2.5 (6.2)			
675GES*M8004	19-24.9 (47.3-62)	16.5-22.4 (41.1-55.8)	2.5 (6.2)			
675GES*8005	25-31 (62.3-77.2)	22-28 (54.8-69.8)	3.0 (7.5)			
675GES*M8005	25-31 (62.3-77.2)	22-28 (54.8-69.8)	3.0 (7.5)			

### HOW TO ORDER

Follow these steps to build your part number:

1. Specify the series based on your required set point, range, dead band, system pressure and proof pressure.
2. Add desired options model code letter.
3. Add the applicable standard suffix number.

### PRESSURE CONVERSION

1 BAR = 14.5 PSI  
1 kPa = 0.145 PSI

### CERTIFICATIONS

Consult CCS website for complete certification and approval listing.

*Note: Additional modified standard suffixes are available, consult CCS sales department or CCS Representative.*

### OPTIONAL STANDARD MODIFIED SUFFIXES

- 7008:** Gold Contacts
- 7054:** 2 Meter Free Leads
- 7076:** 18 inch Teflon Free Leads (Low Temp Wire)

### OPTIONS MODEL CODES

- A:** Viton® O-Ring
- M:** DPDT Electrical
- Y:** ATEX / IECEx Certified Electrical Assembly (Consult CCS Sales Department for options and requirements.)
- \* Y Model Proof Pressure: 25 PSIG**
- \* Y Model System Pressure: 10 PSIG**

### ELECTRICAL ENCLOSURE CERTIFICATIONS

- \* c-UL, U.L./CSA Explosion Proof: Div. 1, 2 hermetically sealed electrical assembly P/N 46-1058 (46-1061 for M model option), listed by both Underwriter's Laboratories, Inc. (File No. E32961) and Canadian Standard Association (CSA) Testing Laboratories (File No. LR22921) for hazardous locations, Class 1, Groups A, B, C, and D; Class 2 Groups E, F, and G.
- \* ATEX certified for potentially explosive atmospheres electrical assembly series 46-XXXXXXX, Models 6\*\*\*\*\*, Ex d IIC T6, Directive 94/9/EC Sira 08ATEX1046X. (Option Y)
- \* IECEx - SIRA certified, SIR 10,0193X (Option Y)

### ELECTRICAL CHARACTERISTICS SCHEMATIC AND WIRING CODE

RATING OF SWITCH ELEMENT

VOLTS	AMPERES	
	SPDT Res.	DPDT "M" Res.
125 AC - 50/60 Hz	11	11
250 AC - 50/60 Hz	11	11
30 DC	5	5
125 DC	.5	.5
*125 AC - 50/60 Hz	1 max	1 max
*30 DC	1 max	1 max

\*Gold Contacts -7008 Suffix

