

2625-2645

ON BOARD WEIGHING LOAD CELLS

Load cells specially designed for on board weighing on trucks.

Model 2625 - 10t



Features

- Very sturdy design
- High resistance against shocks
- Protection IP 67
- Low cost solution
- Easy to install (no stabilization system needed)
- Screws and blocks to be welded available
- Cable length: 10m
- Weight: 11.5kg
- Available option (non exhaustive list) :
 - o ATEX intrinsic safety Ex II 1GD Ex ia IIC T6 or T4 Ga Ex ia IIIC T80 C Da

Applications

The SENSY's load cells 2625-2645 are perfectly designed to the following applications :

- "On board" weighing system on trucks, lorries or agrarian trailer.
- "On board" overload preventing system.
- Force measurement where the load has to be hold with stiffness (ex.: weighing of railways).

Capacities

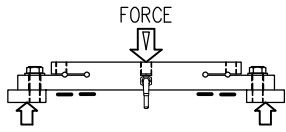
2625 : 10 - 50 - 100 t
2645 : 10 t

Specifications	0.25	
Linearity error	< ± 0.25	% F.S.
Repeatability error	< ± 0.1	% F.S.
Creep error over 30 min.	< ± 0.1	% F.S.
Zero shift after loading	< ± 0.025	% F.S.
Reference temperature	23	C
Nominal temperature range	-10...+45	C
Service temperature range	-30...+70	C
Storage temperature range	-50...+85	C
Temperature coefficient of the sensitivity	< ± 0.05	% F.S./10 C
Temperature coefficient of zero signal	< ± 0.035	% F.S./10 C
Zero balance	± 0.02	mV/V
Input resistance	352 ± 2	Ohm
Output resistance	352 ± 2	Ohm
Insulation resistance (50V)	> 5000	Megaohm
Reference excitation voltage	10	VDC
Nominal range of excitation voltage	3..12	VDC
Nominal sensitivity	0.88	mV/V
Safe load limit	120	% F.S.
Breaking load	>250	% F.S.
Static lateral force limit	100	% F.S.
Permissible dynamic loading	50	% F.S.

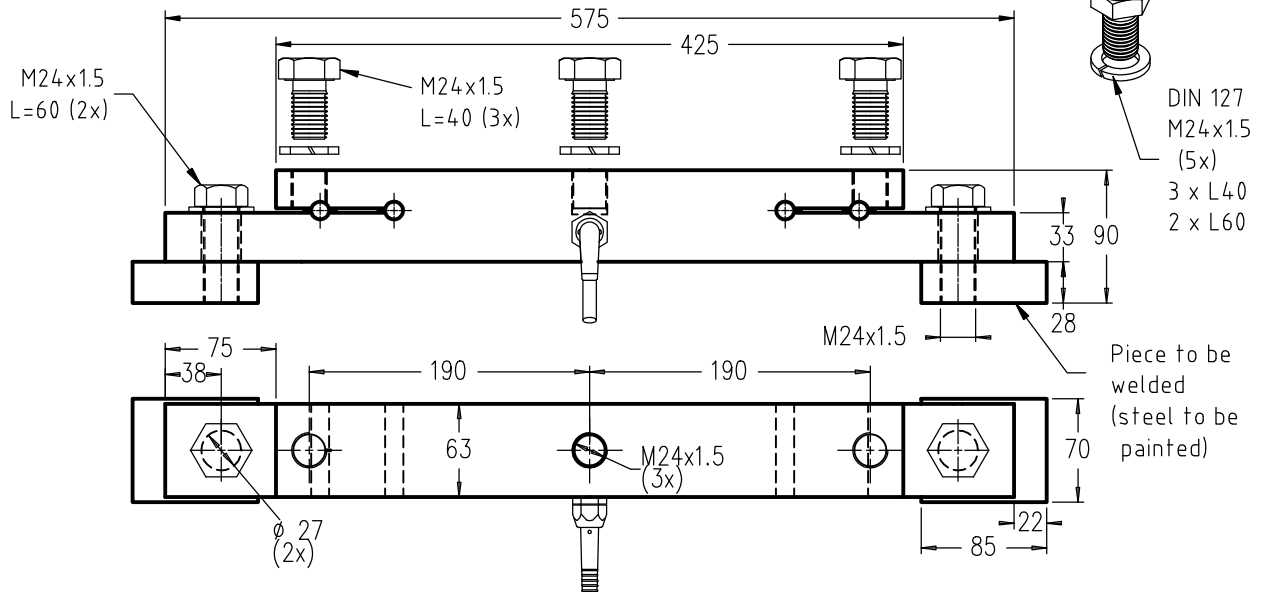
F.S.: full scale - Specifications subject to change without notice

LOAD CELL

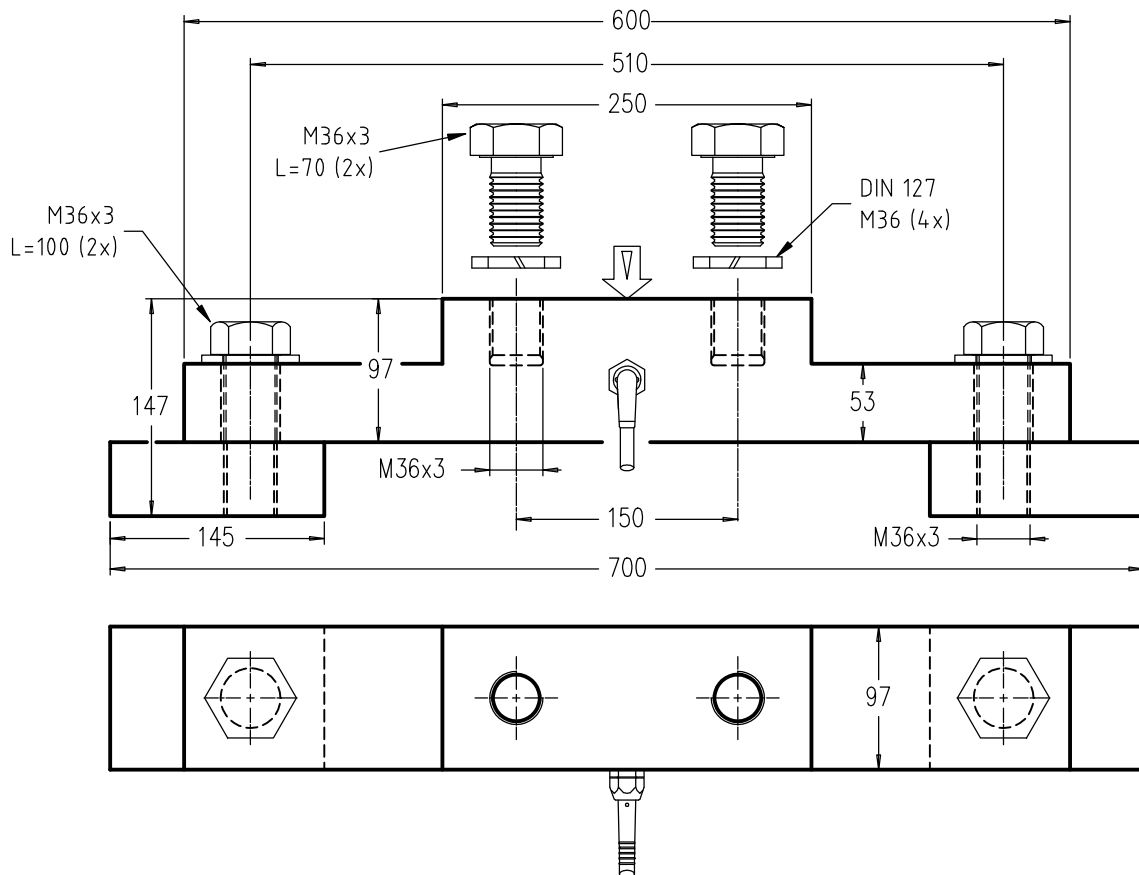
model 2625 nicked steel body
COMPRESSION



Static range 10t.(0.88 mV/V) Cable length : 10 m
Dynamic range 5t. (0.44 mV/V) Weight : 19 kg IP 67



Static range 50t.(1 mV/V) Cable length : 10 m
Dynamic range 30t.(0.5 mV/V) Weight : 33 kg IP 67



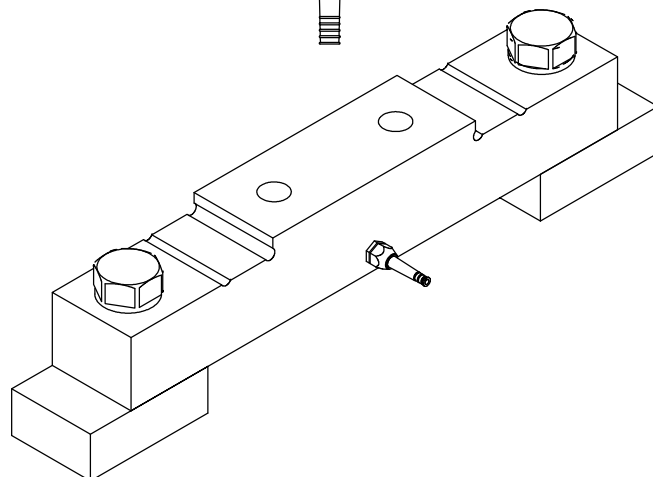
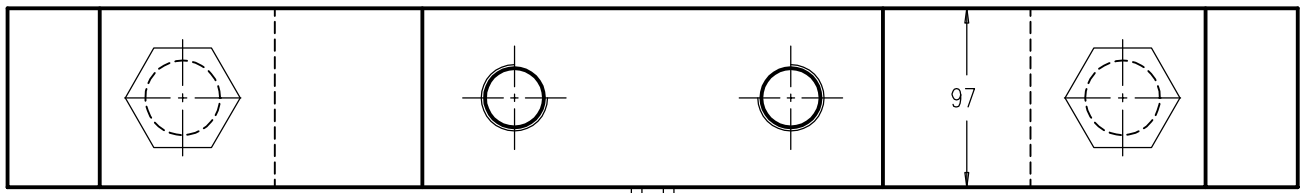
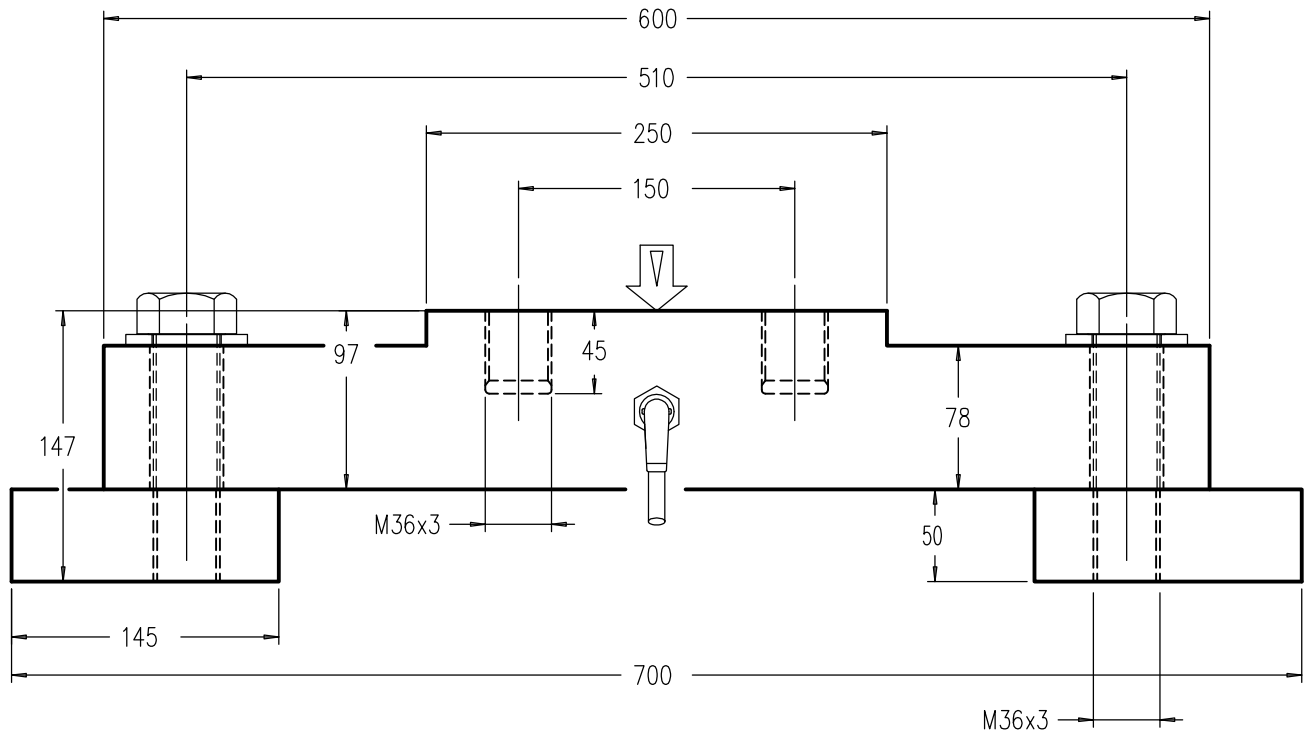


www.sensy.com

LOAD CELL

model 2625 alloy steel
COMPRESSION

Range 100t. 1mV/V Cable length: 10 m IP67



LOAD CELL

model 2645 nickered steel body
COMPRESSION

Range Static 10t. Cable length:10 m IP67
 Dynamic 5t. Weight : 11.5 kg



ATEX CERTIFIED

