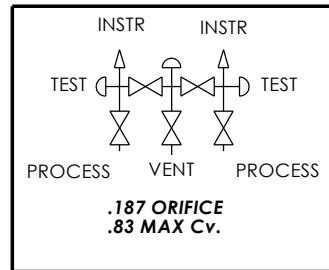
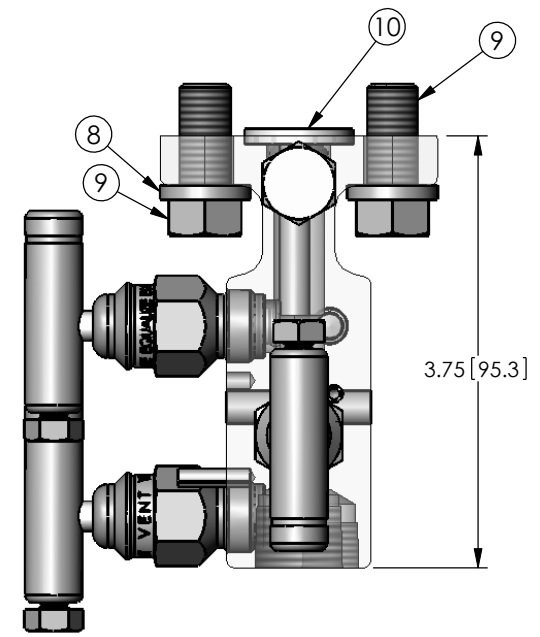
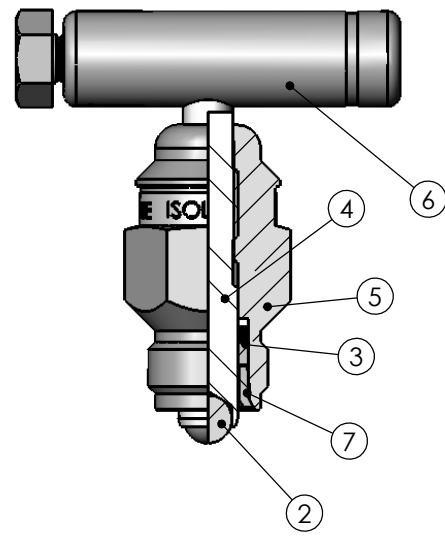
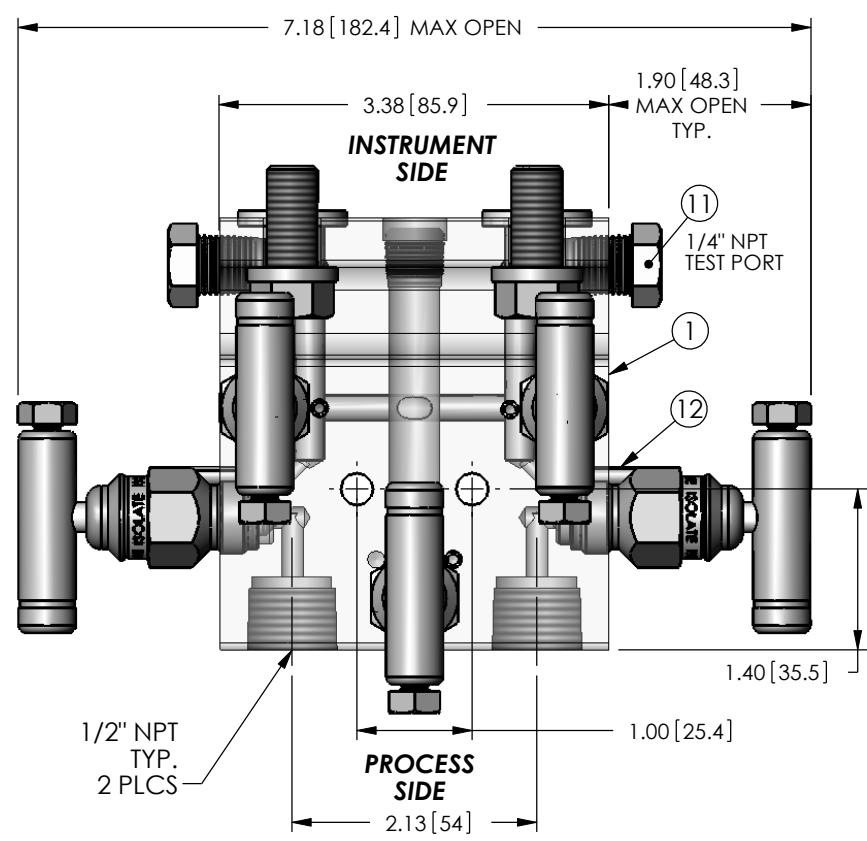


REVISIONS		
REV.	DATE	CO#
1	2/12/2008	28675



PRODUCT PART NUMBER		M-678SCJ	
NO.	DESCRIPTION	10,000 PSI @ 200°F 1,000 PSI @ 450°F MAX	QTY.
1	MANIFOLD BODY	(S) ASTM A479-316	1
2	BALL (1/4")	(C) CARBIDE BALL	5
3	STEM SEAL	(J) TEFLON/FLUOROSILICONE	5
4	STEM	ASTM A479-316	5
5	BONNET	ASTM A479-316	5
6	HANDLE ASSEMBLY	300 SERIES SS	5
7	SEAL RETAINER	ASTM A479-316	5
8	WASHER	<AZ> CARBON STEEL	4
9	MOUNTING BOLT	<AZ> ASTM A449-TYPE 1	4
10	FLANGE SEAL	TEFLON	2
11	1/4" NPT HEX HD. PLUG	ASTM A182-F(18-8)	2
12	ROLL PIN	300 SERIES SS	5

NOTES

1. DIMENSIONS IN [] ARE IN MILLIMETERS.
2. APPROX. WEIGHT 5.7 lbs. (2.6 kg.)
3. <AZ> INDICATES ALKALINE ZINC PLATED WITH DICHROMATE DIP.
4. <PO> INDICATES PHOSPHATE AND OIL.
5. <P0> AISI 1018 C.S. IS USED WHEN WELDED BODY CONNECTION ARE SPECIFIED.
6. 316 SS MANIFOLD/VALVE MEETS REQUIREMENTS OF NACE MR0175 (LATEST REV.) UP TO 140 °F

PGI RESERVES THE RIGHT TO CHANGE THE DESIGN, DIMENSIONS OR MATERIAL CONTENT OF OUR PRODUCTS WITHOUT PRIOR NOTIFICATION.

PGI International

16101 VALLEN DRIVE HOUSTON, TX. 77041 (713) 466-0056 or 1-800-231-0233 FAX: (713) 744-9892

**5 VALVE WIDE PATTERN MANIFOLD
.187 ORIFICE**

APP'D	DRAWING NO. & REVISION
SCALE NONE	M-678SCJ r01

PGI EXTERNAL DOCUMENT

GENERAL PRODUCT DESCRIPTION