

# Type VRD Direct Acting Relief Valve



- Pressures up to 1380 bar (20,000psi)
- Seal options to cover a wide range of process fluids
- 316 stainless steel construction

The VRD direct acting pressure relief valve has been designed to provide accurate pressure control in systems operating at pressures up to 1380 bar (20,000 psi).

A number of seal material are available, making the valve compatible with a wide range of process fluids.

The valve feature all stainless steel construction for use in harsh environments.

## Working temperature

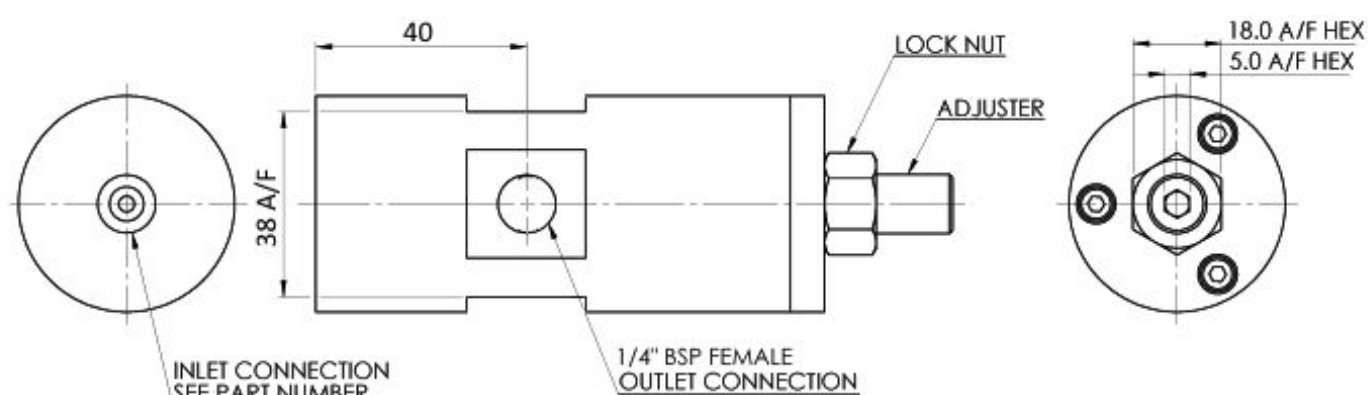
Nitrile: -20°C to +80°C.

(other materials refer to Marshalsea technical department)

## Part Numbering System

<b>VRD</b> = Relief Valve - Direct Acting	<b>Product Code</b>
<b>SS</b> = 316 Stainless Steel (NACE Compliant - Inlet side only)	<b>Body Material</b>
0000 = Maximum working pressure (bar) 0100 = 20 - 100 bar 0360 = 80 - 360 bar 0540 = 300 - 540 bar 0800 = 450 - 800 bar 1040 = 700 - 1040 bar 1380 = 1000 - 1380 bar	<b>Maximum Working Pressure</b>
000 = Orifice size in millimetres plus one decimal place 032 = 3.2mm (100, 360 & 540 bar) 025 = 2.5mm (800, 1040 & 1380 bar)	<b>Orifice Size Ports</b>
B14F = 1/4" BSP Female N14F = 1/4" NPT Female M38F = 3/8" MP Tube Female Other options available on request	<b>Inlet Connection</b>
B14F = 1/4" BSP Female N14F = 1/4" NPT Female Other options available on request	<b>Outlet Connection</b>
N = Nitrile seals -20°C to +80°C V = Viton seals -10°C to +80°C Other options available on request	<b>Seal Material</b>
S = Stainless Steel	<b>Seat Material</b>
0800 = 800 bar Set pressure	<b>Set Pressure (Optional)</b>
VRD - SS - 0800 - 032 - M38F - B14F - N - S - 0800	<b>Ordering Example</b>

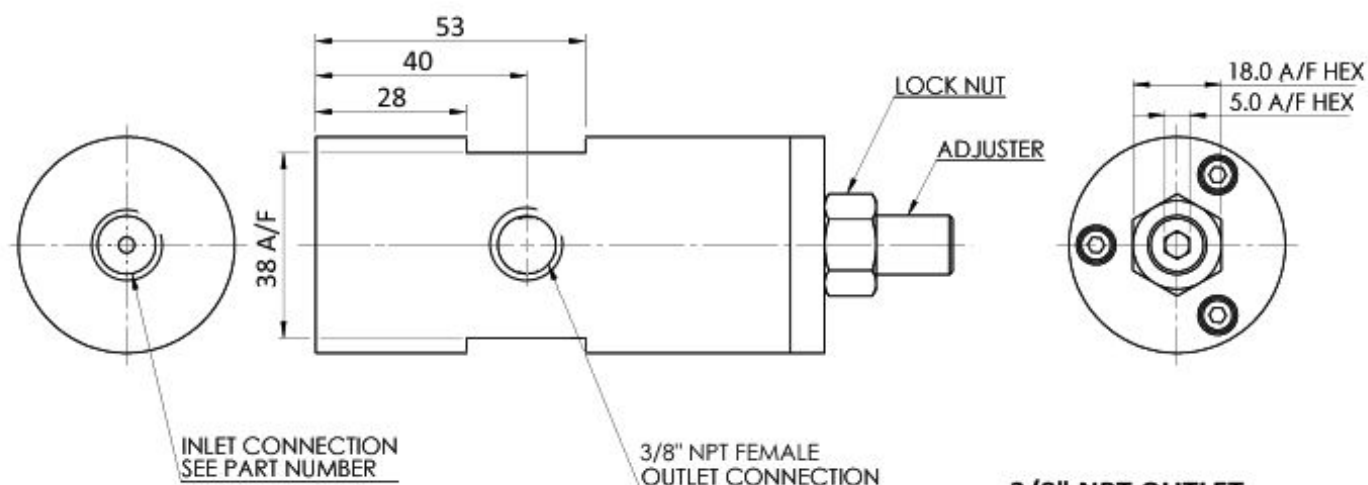
## Dimensions



**1/4" BSP OUTLET**



**3/8" NPT OUTLET**



**3/8" NPT OUTLET**

