

WARNING

1. Only suitably trained personnel shall carry out installation in accordance with applicable code of practice.
2. To avoid serious or fatal personal injury or major property damage, read and follow all the instructions in this manual.
3. Hazardous voltage, disconnect all power before servicing equipment.
4. Do not exceed the electrical rating stated on label.
5. Conduit plugs supplied are for transit purpose only, remove them and install conduit or plugs suitable for protection required.
6. Save this instruction.
7. To maintain the NEMA rating, the use of proper wiring methods per NEC and local codes is required.
8. To ensure proper protection any unused conduit entry must be closed with appropriate supplied conduit plug.

Hazardous Areas: Class I, Div 1, Groups B, C, D; Class II, Div 1, Groups E, F, G; Class I, Div2, Groups A, B, C, D; Class II, Div 2, Groups F, G

⚠ For switch options 10, 13, 14, 16, N1, or N3 when placed in CLASS I, DIVISION 2, GROUPS A, B, C and D or CLASS II, DIVISION 2 GROUP F and G consider the following:

NO LEAD SEAL REQUIRED; ALL WIRING OF THESE DEVICES MUST BE IN ACCORDANCE WITH THE NATIONAL ELECTRICAL CODE ARTICLE 501.4(B) FOR CLASS I, DIVISION 2.

WARNING - EXPLOSION HAZARD - SUBSTITUTION OF COMPONENTS MAY IMPAIR SUITABILITY FOR CLASS I, DIVISION 2.

WARNING - EXPLOSION HAZARD - DO NOT DISCONNECT EQUIPMENT UNLESS POWER HAS BEEN SWITCHED OFF OR THE AREA IS KNOWN TO BE NON-HAZARDOUS. SUITABLE FOR TEMPERATURE FROM -13°F(-40°C) TO 176°F(80°C).

INSTALLATION

1. Attach proper mounting bracket (1) to the switch box housing (4) using four M6x8 socket head cap screws (2) provided.
2. Align switch box shaft to top of actuator shaft and engage it.
3. Attach bracket to actuator using hardware (3) provided (finger tight only).
4. By actuating package the switch and actuator will self-align.
5. Tighten bracket to top of actuator.

SWITCH ADJUSTMENT

1. Disconnect power prior to opening lid.
2. Loosen switch box cover (8) and remove.
3. Rotate actuator to full clockwise position.
4. Push down top cam (5b) and turn until switch is activated and then release. Engage cam on to the splined retainer. Spring will maintain cam engagement.
5. Rotate actuator to full counter-clockwise position.
6. Pull up bottom cam (5a) and turn until switch is activated and then release. Engage cam on to the splined retainer. Spring will maintain cam engagement.
7. Place cover (8) on switch box and rotate to tighten. Take care to ensure that cover gasket seal is properly located in seal groove.
8. **ATTENTION:** When adjusting cams, switch levers should be pushed out of the way prior to disengaging cams or damage to the switch and or to the lever may occur.

ELECTRICAL WIRING

1. Remove switch box cover (see switch adjustment section)
2. Remove protection plug(s) from conduit entries and install conduit or plugs suitable for type of protection required.
3. Engage wires in terminal strip (11) using a small screwdriver (1/8" blade).
4. External ground screw assembly (6, 7) is supplied if ground strapping is required

FOR WIRING DIAGRAM REFER TO LABEL INSIDE THE HOUSING, AND FIGURES 2, 3, 4. FOR SWITCH ELECTRICAL RATING REFER TO LABEL OUTSIDE THE HOUSING.

If you require additional assistance please contact the manufacturer

3D INDICATOR SETTING

1. Rotate actuator to closed position.
2. Loosen Phillips-head screws (9) and adjust indicator.
3. Tighten Phillips-head screws (9).

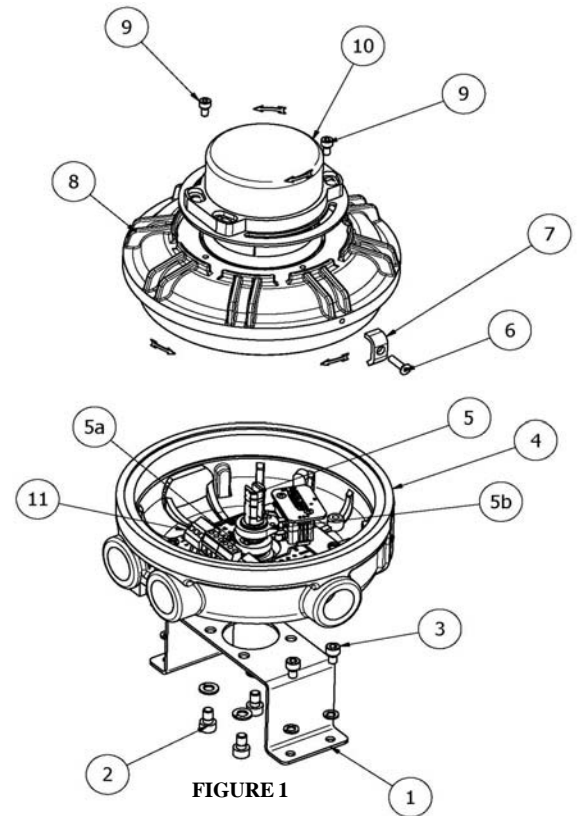


FIGURE 1

2 SWITCHES SPDT

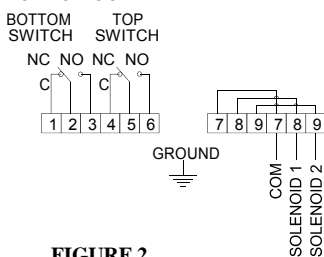


FIGURE 2

2 SWITCHES SPST

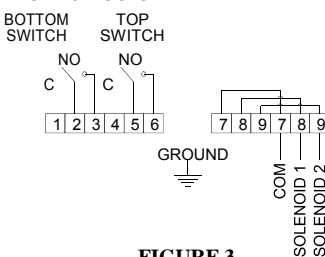


FIGURE 3

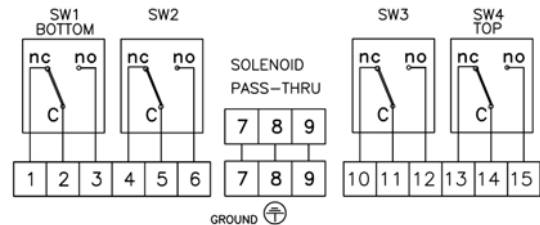


FIGURE 4

A-T Controls product, when properly selected, is designed to perform its intended function safely during its useful life. However, the purchaser or user of A-T Controls products should be aware that A-T Controls products might be used in numerous applications under a wide variety of industrial service conditions. Although A-T Controls can provide general guidelines, it cannot provide specific data and warnings for all possible applications. The purchaser / user must therefore assume the ultimate responsibility for the proper sizing and selection, installation, operation, and maintenance of A-T Controls products. The user should read and understand the installation operation maintenance (IOM) instructions included with the product, and train its employees and contractors in the safe use of A-T Controls products in connection with the specific application.

While the information and specifications contained in this literature are believed to be accurate, they are supplied for informative purposes only. Because A-T Controls is continually improving and upgrading its product design, the specifications, dimensions and information contained in this literature are subject to change without notice. Should any question arise concerning these specifications, the purchaser/user should contact A-T Controls.

For product specifications go to <http://download.a-tcontrols.com/>

A-T Controls, Inc. • 9955 International Boulevard, Cincinnati, OH 45246 • Phone: (513) 530-5175 • Fax: (513) 247-5462 • www.atcontrols.com