

# PT2 Ceramic Protection Tube Model Code

PT2 - T1 - T2 - T3 - T4 - T5 - T6 - T7 - T8

## PT2 Ceramic Protection Tube

### T1 Connection Style

NP	Pipe nipple, threaded both ends
BP	Fixed bushing
NPI	Pipe nipple, threaded one end

### T2 Tube Material

MPT	Mullite (1650°C max)
<b>APT</b>	<b>Alumina (1800°C max)</b>
ZPT	Zirconia (2350°C max)
MCT	Metal Ceramic (1537°C max)
SCT	Silica Carbide (1650°C max)

### T3 Connection Head

X	Not Required
<b>2SS</b>	<b>316 Stainless, 1/2" x 3/4"</b>
<b>3SS</b>	<b>316 Stainless 3/4" x 3/4"</b>
0AL	Aluminum, 1/2" x 3/4"
0CI	Iron Alloy, 1/2" x 3/4"
Other	Consult factory

### T4 Assembly Type

<b>C</b>	<b>Complete with thermocouple<sup>2</sup></b>
T	Protection tube only

### T5 Tube Size and Process Connection

14	0.250" ID x 0.375" OD - 1/2" NPT
76	0.438" ID x 0.688" OD - 3/4" NPT
<b>96</b>	<b>0.563" ID x 0.750" OD - 3/4" NPT</b>
MCT	0.625" ID x 0.875" OD - 1" NPT (Only MCT option)
SCT	0.500" ID x 0.750" OD - 3/4" NPT (Only SCT option)

### T6 Thermocouple Type<sup>2</sup>

X	Not required
<b>K</b>	<b>Type K</b>
<b>R</b>	<b>Type R</b>
<b>S</b>	<b>Type S</b>
B	Type B

### T7 Specify "H" Length (inches)<sup>3</sup>

"inches"	Specify length in inches
X	Not applicable

### T8 Specify "U" Length (inches)<sup>3</sup>

"inches"	Specify length in inches
----------	--------------------------

Thermocouple Sensor Details (T4. Option C)		
Tube Size	Type K Thermocouple (T6. Option K)	Type R,S,B Thermocouple (T6. Option R,S,B)
14	Ceramic insulator tube, 0.188" OD, 20 AWG	Ceramic insulator tube, 0.188" OD, 24 AWG
76	Ceramic insulators, 0.250" OD, 14 AWG	Ceramic insulator tube, 0.188" OD, 24 AWG
96	Ceramic insulators, 0.468" OD, 8 AWG	Ceramic insulator tube, 0.188" OD, 24 AWG
MCT	Ceramic insulators, 0.468" OD, 8 AWG	Ceramic insulator tube, 0.188" OD, 24 AWG
SCT	Ceramic insulators, 0.468" OD, 8 AWG	Ceramic insulator tube, 0.188" OD, 24 AWG

#### NOTES:

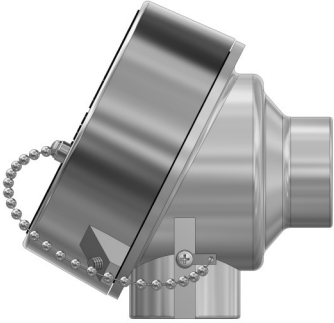
1. Part number example: PT2-X-APT-3CI-T-96-X-X-12 or PT2-NP-APT-3AL-C-96-K-6-18
2. Reference table for thermocouple sensor details
3. Reference page D-41 for part outline and dimensions
4. Bold text indicates most common part selections
5. For replacement thermocouple (TC12BT & TC12PT) sizing use the following formula to find thermocouple "L" length:  
Sensor "L" length = U + H + 1"



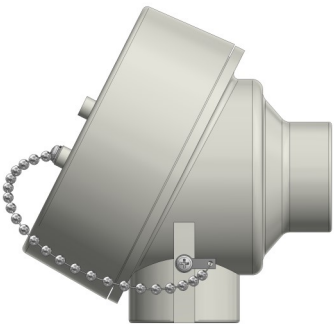
# PT2 Protection Tube Outline & Dimensions

## Connection Head

2SS



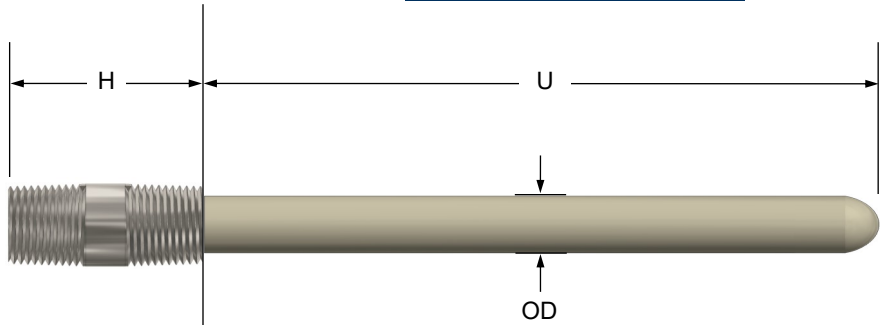
0AL



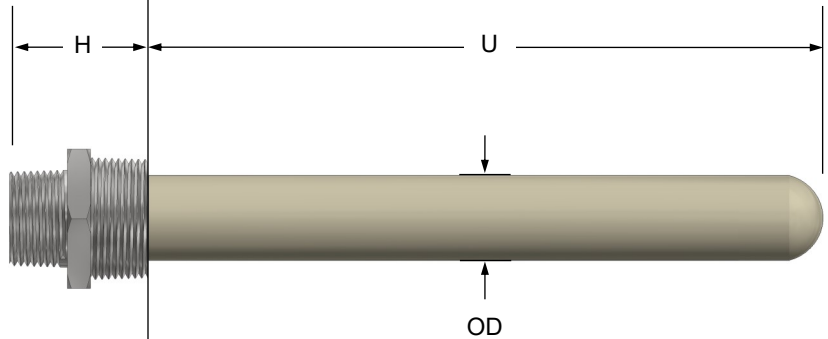
0CI



## Protection Tube Style NP



## Protection Tube Style BP



## Protection Tube Style NPI

