

2000S

HERMETIC SEALED BENDING BEAM LOAD CELL

High-end load cell combining high accuracy with high resistance in harsh environment.

Model 2000S - 100 kg



Features

- Stainless steel
- Protection IP67 (welded sealing)
- Complies with OIML/R60 up to 3000d for scales in class III
- Standardized dimensions
- Cable length: 3m
- Available options (non exhaustive list):
 - o ATEX intrinsic safety Ex II 1GD Ex ia IIC T6 or T4 Ga Ex ia IIIC T80 C Da
 - o high service temperature (150 °C)
 - o protection: IP68
- Whole range of mounting kits available

Applications

The SENSY's load cell 2000S is perfectly designed to the following applications :

- OIML certified and industrial scales
- Packaging, batching and filling machines
- Reactors, tanks, vessel or hoppers weighing

Capacities

2000S : 10 - (15) - 20 - (30) - 50 - (75) - 100 - (150) - 200 - 300 kg

| Specifications | 0.1 | 0.03 | C 3 | |
|--|-----------|------------|-------------|-------------|
| Accuracy class | 0.1% F.S. | 0.03% F.S. | 3000 d OIML | - |
| Combined error | < ± 0.1 | < ± 0.03 | < ± 0.02 | % F.S. |
| Linearity error | < ± 0.1 | < ± 0.025 | < ± 0.02 | % F.S. |
| Repeatability error | < ± 0.03 | < ± 0.015 | < ± 0.01 | % F.S. |
| Creep error over 30 min. | < ± 0.06 | < ± 0.025 | < ± 0.02 | % F.S. |
| Zero shift after loading | < ± 0.015 | < ± 0.0075 | < ± 0.005 | % F.S. |
| Reference temperature | 23 | 23 | 23 | C |
| Nominal temperature range | -10...+45 | -10...+45 | -10...+45 | C |
| Service temperature range | -30...+70 | -30...+70 | -30...+70 | C |
| Storage temperature range | -50...+85 | -50...+85 | -50...+85 | C |
| Temperature coefficient of the sensitivity | < ± 0.05 | < ± 0.015 | < ± 0.009 | % F.S./10 C |
| Temperature coefficient of zero signal | < ± 0.035 | < ± 0.023 | < ± 0.013 | % F.S./10 C |
| Zero balance | ± 0.02 | ± 0.02 | ± 0.02 | mV/V |
| Sensitivity tolerance | < ± 0.3 | < ± 0.2 | < ± 0.1 | % |
| Input resistance | 352 ± 2 | 352 ± 2 | 352 ± 2 | Ohm |
| Output resistance | 352 ± 2 | 352 ± 2 | 352 ± 2 | Ohm |
| Insulation resistance (50V) | > 5000 | > 5000 | > 5000 | Megaohm |
| Reference excitation voltage | 10 | 10 | 10 | VDC |
| Nominal range of excitation voltage | 3..12 | 3..12 | 3..12 | VDC |
| Nominal sensitivity | 2 | 2 | 2 | mV/V |
| Safe load limit | 150 | 150 | 150 | % F.S. |
| Breaking load | >300 | >300 | >300 | % F.S. |
| Static lateral force limit | 100 | 100 | 100 | % F.S. |
| Permissible dynamic loading | 60 | 60 | 60 | % F.S. |

LOAD CELL

model 2000S stainless steel

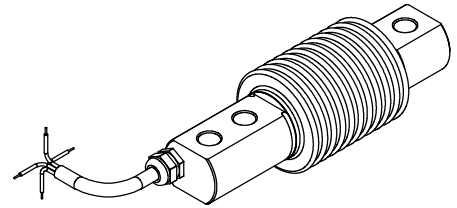
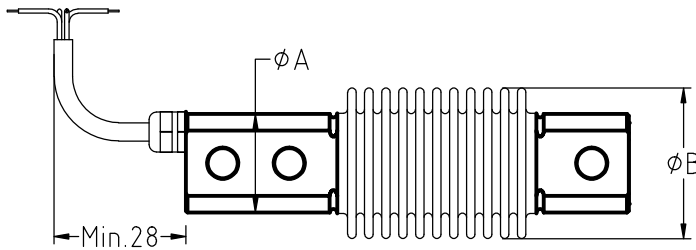
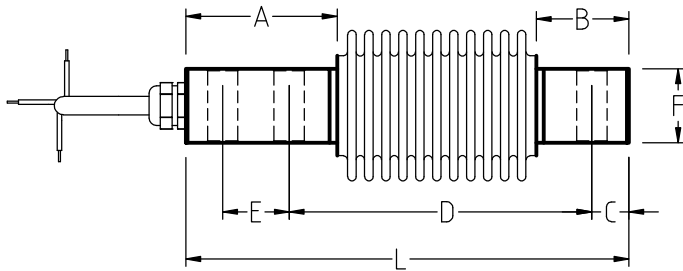
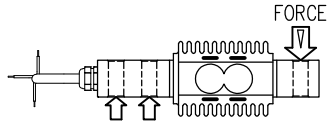
HERMETIC SEALED BENDING BEAM

Range 10–300 kg IP67

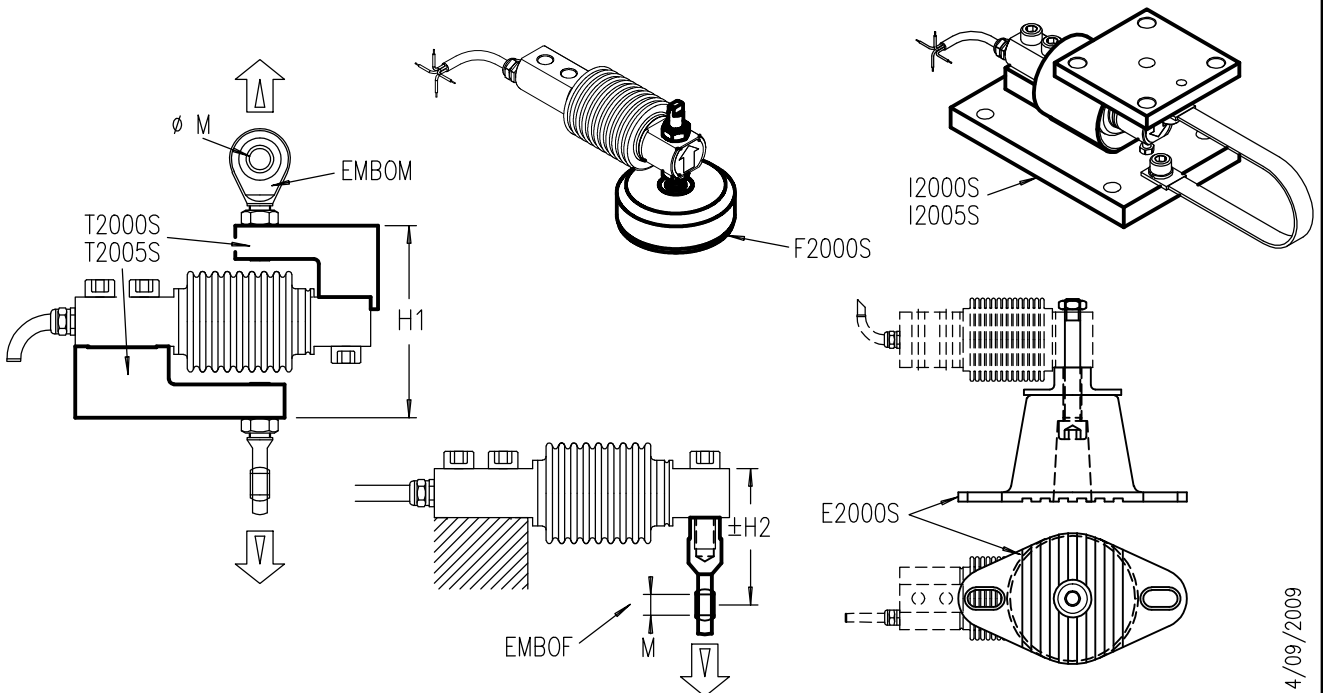
Cable length : 3 m



ATEX CERTIFIED



| CAPACITIES | A | B | C | D | E | F | L | φ1 | φ2 | φA | φB | H1 | H2 | H3 | φM | Max.deflexion | Weight |
|------------|----|----|----|----|----|----|-----|-----|-----|------|----|----|----|----|----|---------------|---------|
| 10 – 300kg | 40 | 23 | 10 | 82 | 18 | 20 | 120 | 8.2 | 8.2 | 26.7 | 42 | 78 | 56 | 83 | 8 | 0.2 to 0.3 | 0.48 kg |



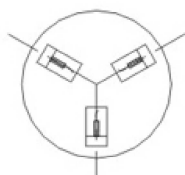
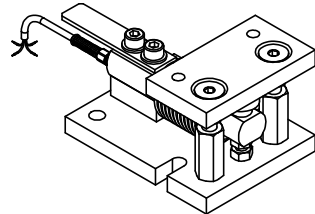
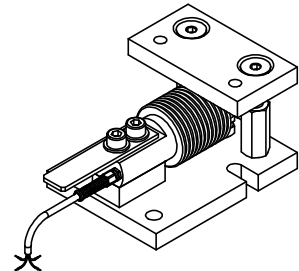
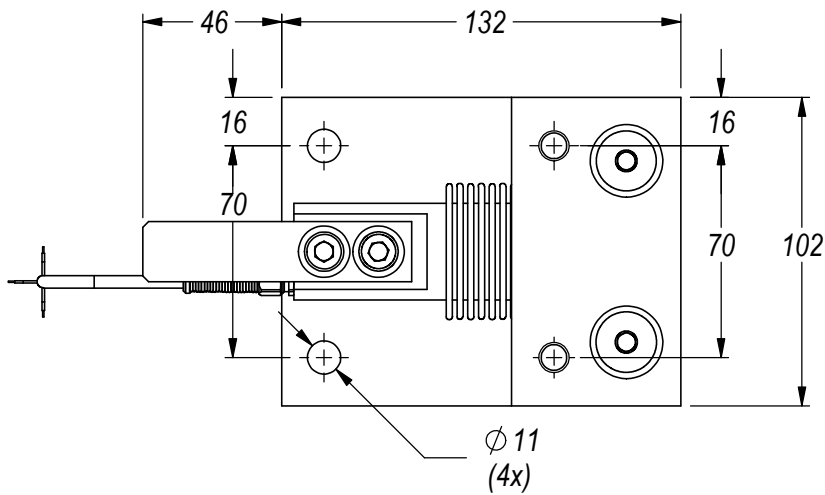
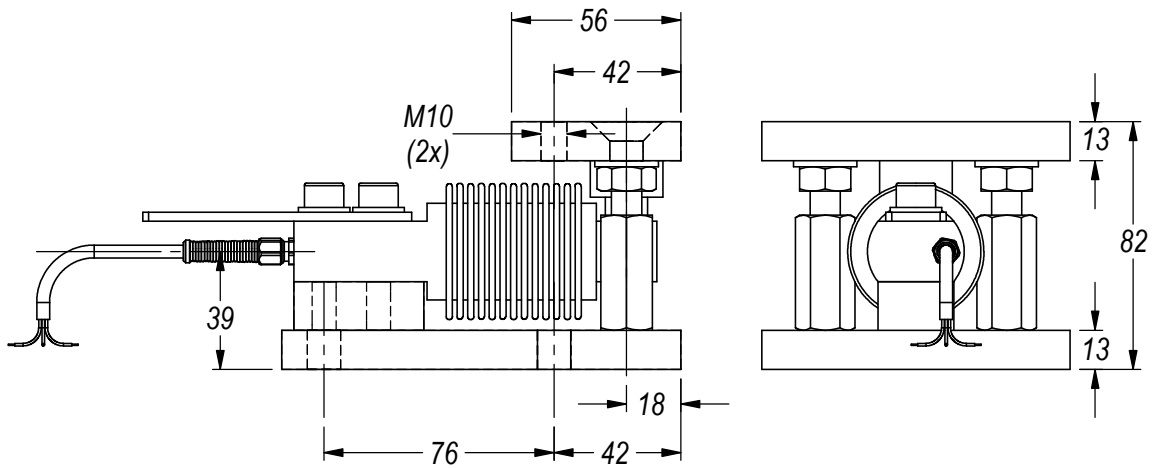
ACCESSORIES

model I2000 stainless steel

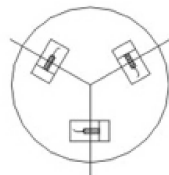
model I2005 alloy steel

EASY MOUNT FOR MODEL 2000

Range 10 - 500 kg



Radial installation



Cutting installation



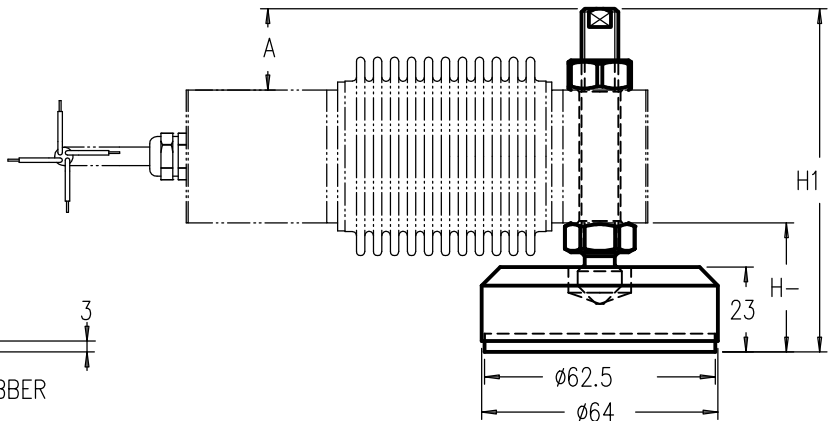
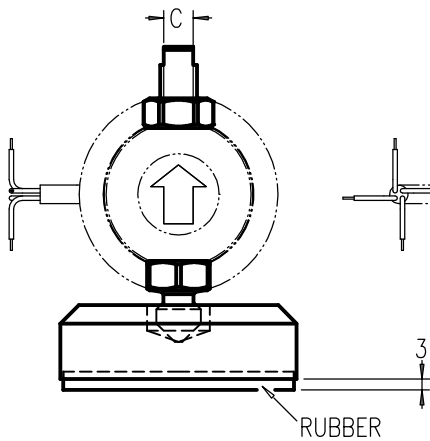
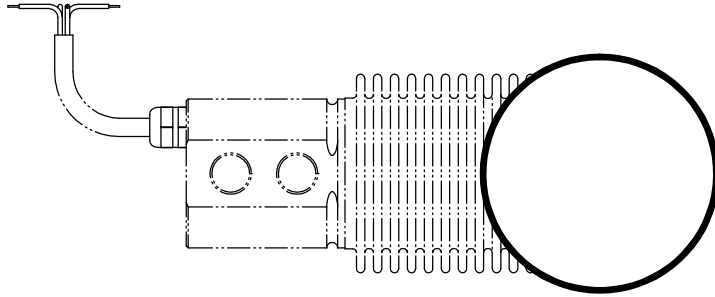
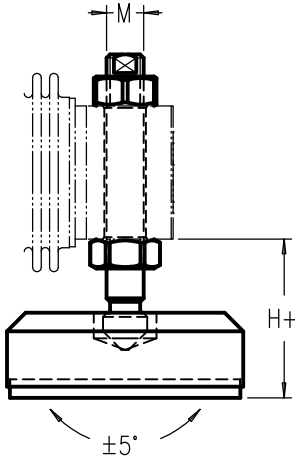
Rectangle installation

ACCESSORIES

model F2000 stainless steel

DAMPED MOUNTING

Range 10 - 300 kg



| MODEL | CAPACITIES | FOR LOADCELL | A | C | M | H- | H+ | H1 |
|---------|------------|--------------|------|---|---|----|----|------|
| F2000-S | 10-300 kg | 2000S-2005S | 20.5 | 4 | 8 | 36 | 45 | 76.5 |

