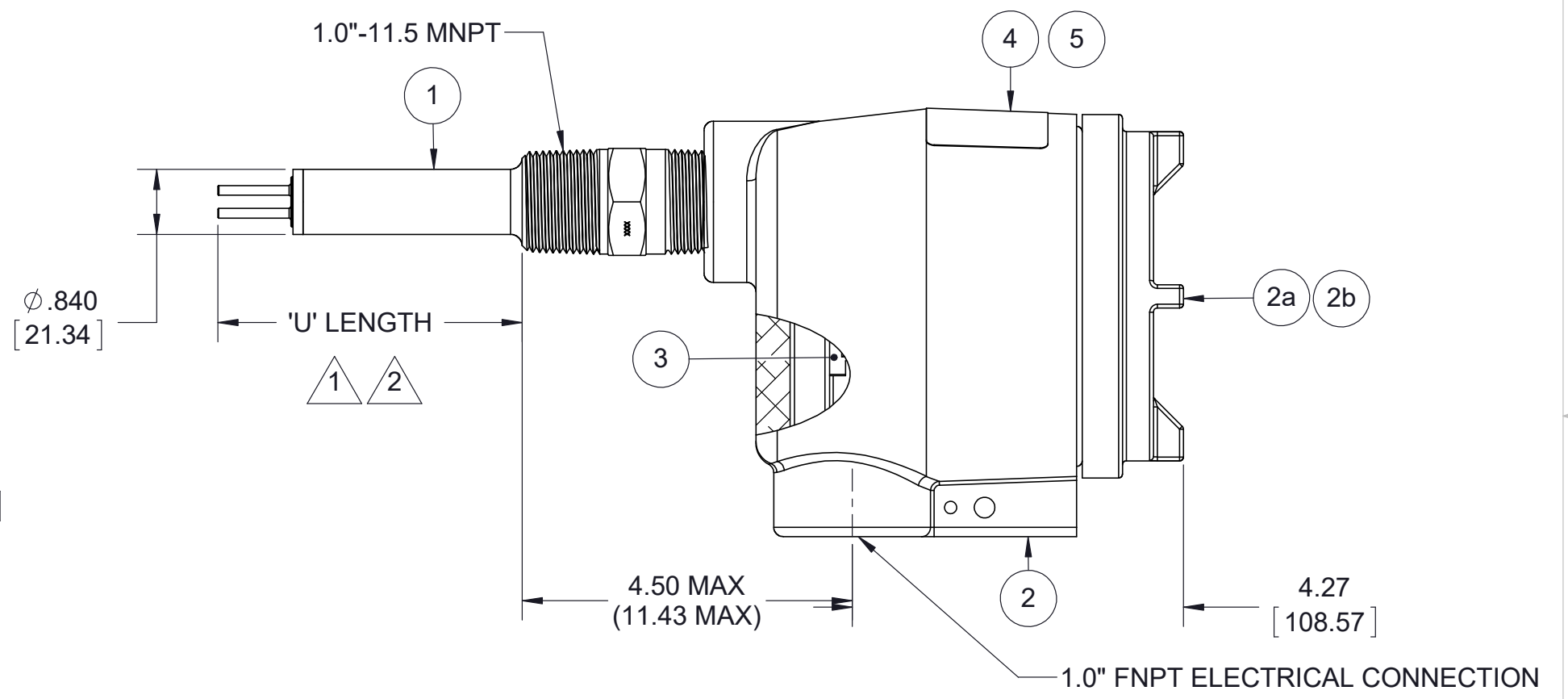
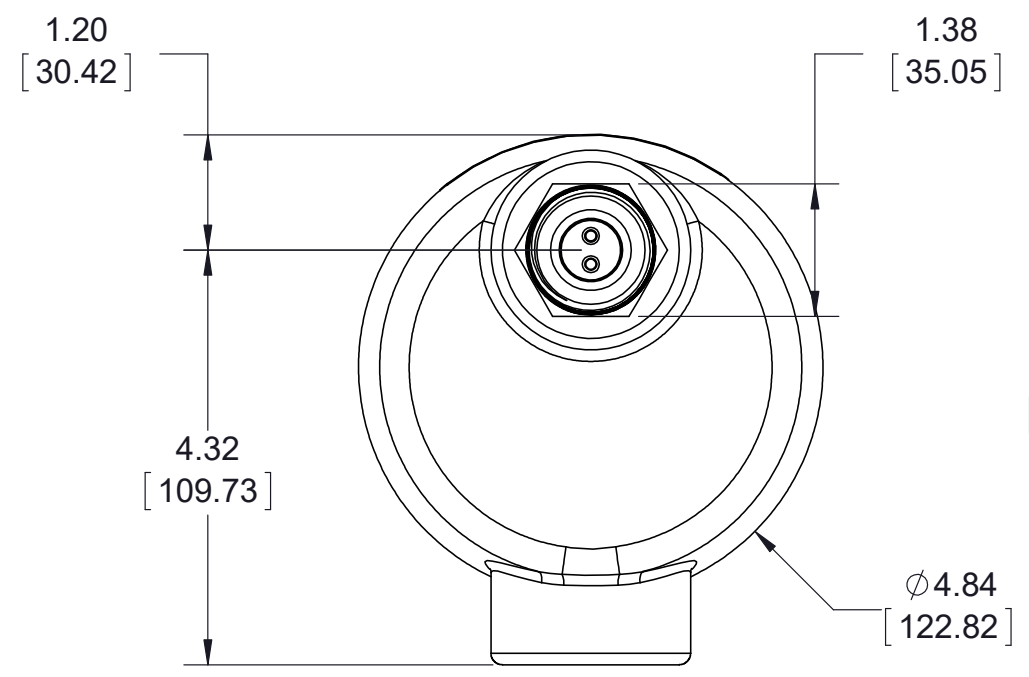


8 7 6 5 4 3 2 1

REVISIONS				
ZONE	REV.	DESCRIPTION	DATE	APPROVED
All	0	Initial Release	14MAY98	Chidley
	1	Edited text	26JAN11	
	2	Edited dimensions	31MAR11	
	3	Changed footer note, added confidential note, modified title, title box and rev table. Deleted 24"U'.	03JUN13	THD
ALL	4	UPDATED TO NEWEST VERSION PROBE.	25OCT18	BT



NOTES:

- 1 Standard 'U' lengths available: 1.2", 2", 3", 4", 6", 9", 12" & 18"
- 2 Custom 'U' length:

UNLESS OTHERWISE SPECIFIED:		NAME	DATE
DIMENSIONS ARE IN INCHES	DRAWN	MW	14MAY13
TOLERANCES: ANGULAR: 0.5° ONE PLACE DECIMAL ±0.1 TWO PLACE DECIMAL ±0.02 THREE PLACE DECIMAL ±0.007	CHECKED	EC	17MAY13
INTERPRET GEOMETRIC TOLERANCING PER:	ENG APPR.	TDH	03JUN13
MATERIAL	COMMENTS:		
FINISH			
DO NOT SCALE DRAWING			



TITLE:
CLASSIC 810 Series
 1" MNPT; 1.2", 2", 3", 4", 6", 9", 12" & 18" 'U'
 Remote Electronics
 Mounting Drawing

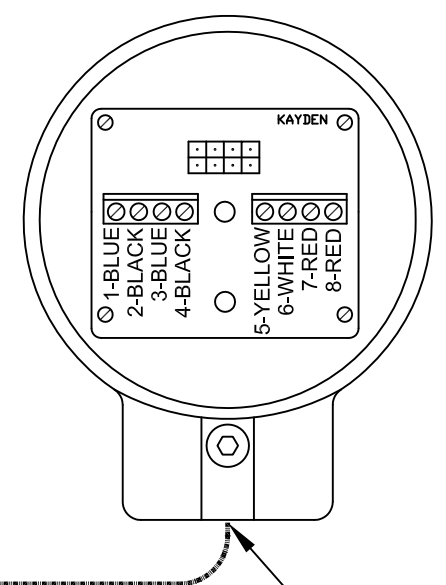
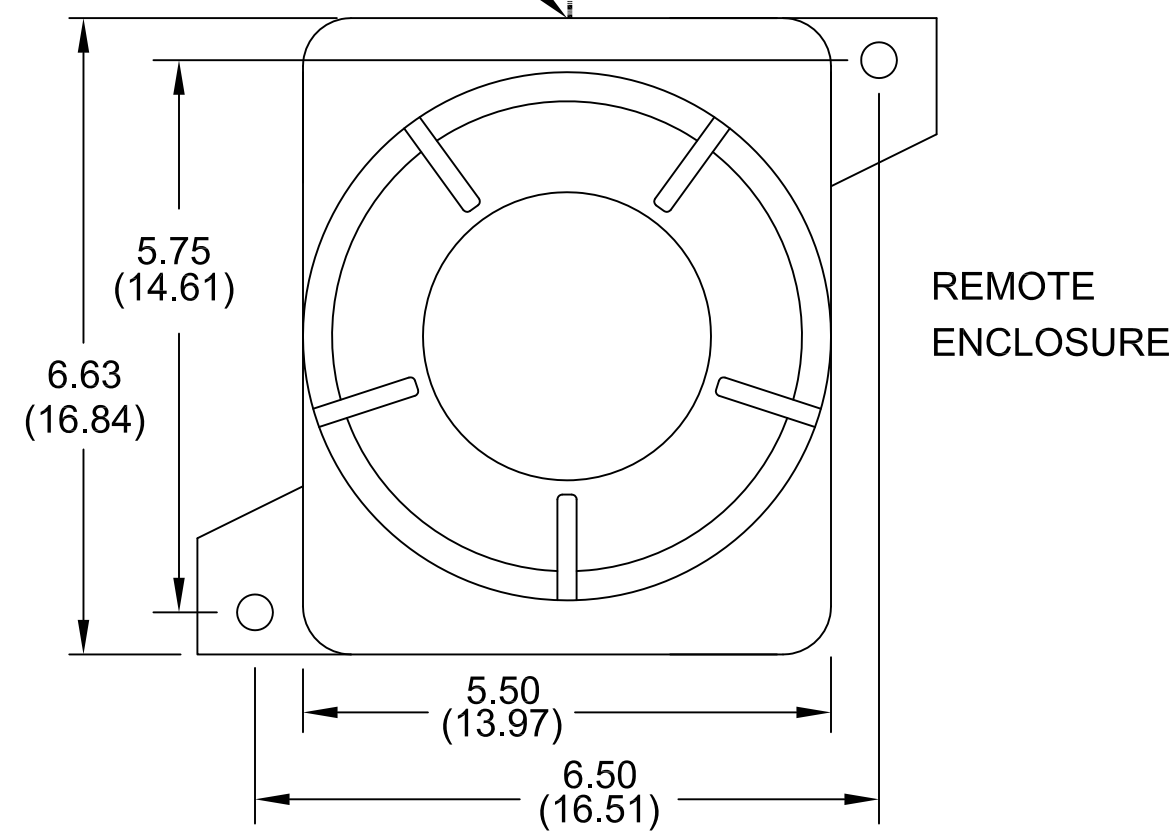
SIZE	DWG. NO.	REV
B	D15-810-RAE-XXXX-LE	4

8 7 6 5 4 3 2 1

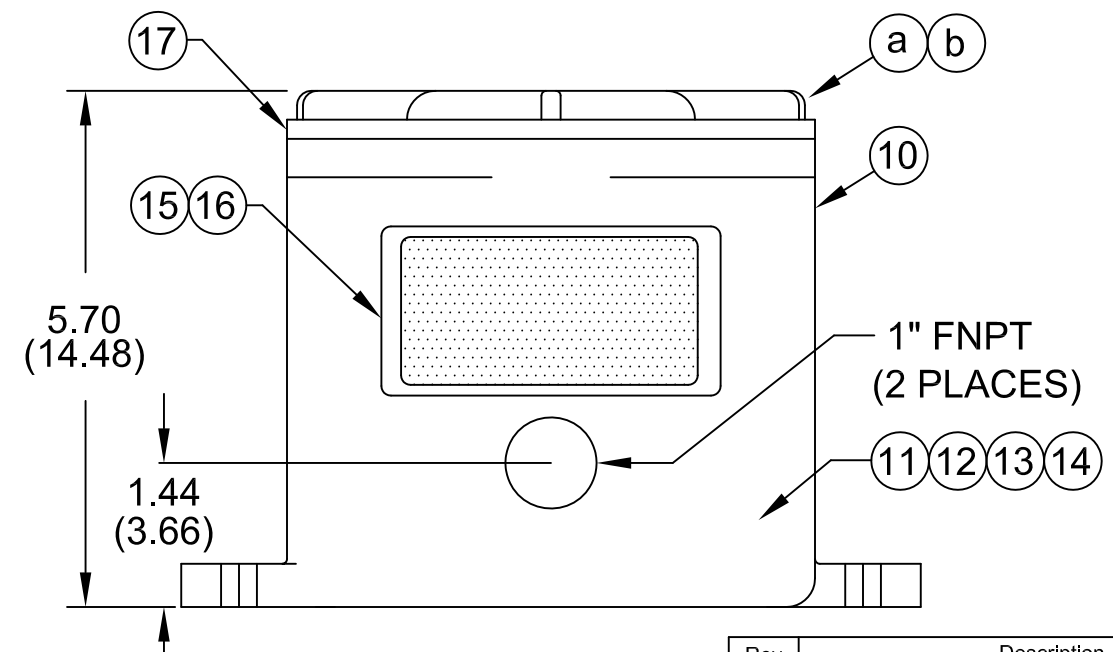
1" FNPT ELECTRONIC CONNECTION

FIELD WIRING

SENSOR ENCLOSURE



1" FNPT ELECTRICAL CONNECTION



Information contained in this document is confidential and proprietary information of Telematic Controls Inc. This document may not be reproduced or distributed for any reason without express written permission of Telematic Controls Inc. All rights of design, invention and copyright are reserved.

APPROVALS	DATE
DRN MW	13MAY13
CHKD EC	21MAY13
APP TDH	03JUN13

KAYDEN[®]
INSTRUMENTS

All dimensions are shown in inches with cm shown in brackets

TOLERANCES ARE:

DECIMALS	ANGLES
.X ± 0.1	±0.5°
.XX ± 0.02	
.XXX ± 0.007	

TITLE: CLASSIC Series Remote Electronics Flameproof Enclosure (CSA)


SIZE A3	DWG NO. 7730-0000-1-CSA	REV 0
SCALE NTS		SHEET 3 OF 4 (or 4 OF 5)

Rev	Description	App.	Date
0	Initial release	TDH	03Jun13

NOTES:
1. Wire according to connection diagram.

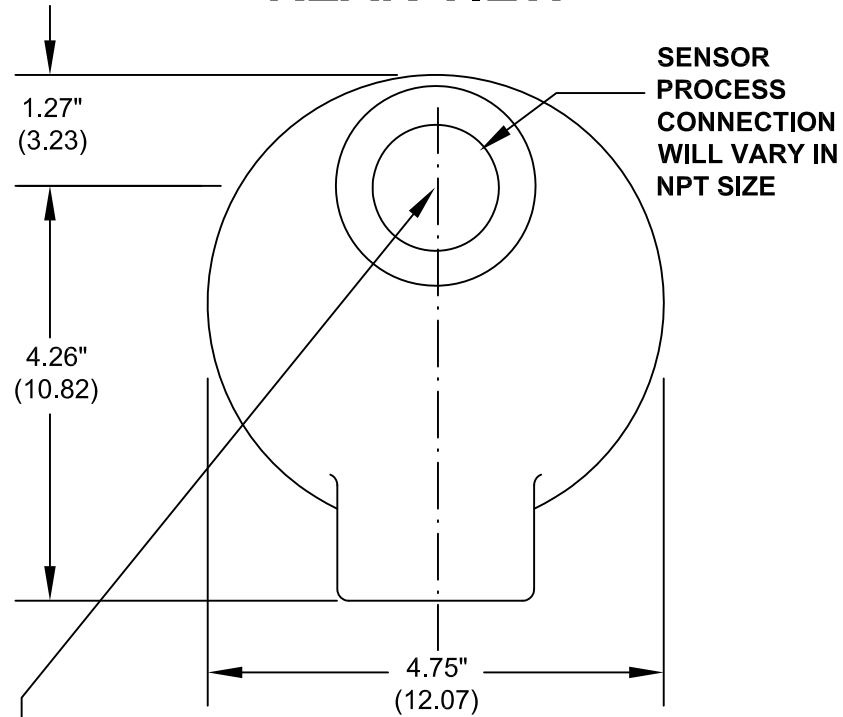
ITEM	DESCRIPTION	PART NUMBER	QTY
10	Flameproof Remote Enclosure	1409-1201	1
a	<input type="checkbox"/> Glass Lens Cover - Flameproof	1409-1208	1
b	<input type="checkbox"/> Blind Cover - Flameproof	1409-1207	1
11	Terminal Assembly	2511-0012	1
12	Ground Screw	2540-0023	1
13	CLASSIC Electronics Module	L10-800-C-E	1
	(12-24 VDC, 115-230 VAC)		
14	Mounting Screws (316 SS)	2540-0007	2
15	Nameplate, Foil	2400-0007	1
16	Nameplate, Overlay	2401-0001	1
17	Cover Gasket	1499-1301	1

Information contained in this document is confidential and proprietary information of Telematic Controls Inc. This document may not be reproduced or distributed for any reason without express written permission of Telematic Controls Inc. All rights of design, invention and copyright are reserved.

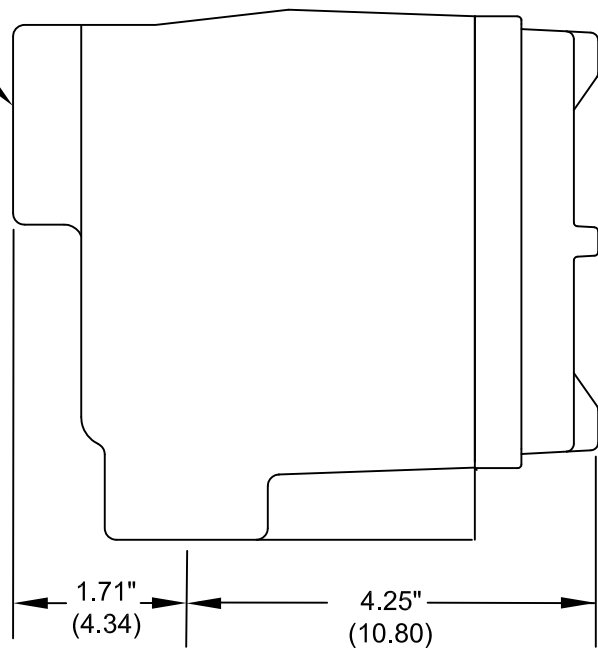
APPROVALS	DATE	
DRN MW	13MAY13	
CHKD EC	21MAY13	
APP TDH	03JUN13	
All dimensions are shown in inches with cm shown in brackets TOLERANCES ARE: DECIMALS .X ± 0.1 .XX ± 0.02 .XXX ± 0.007 ANGLES ±0.5°		TITLE Parts List - CLASSIC Series Remote Electronics Flameproof Enclosure (CSA)
SIZE A3	DWG NO. 7730-0000-2-CSA	REV 0
SCALE NTS		SHEET 4 OF 4 (or 5 OF 5)

Rev	Description	App.	Date
0	Initial release	TDH	03Jun13

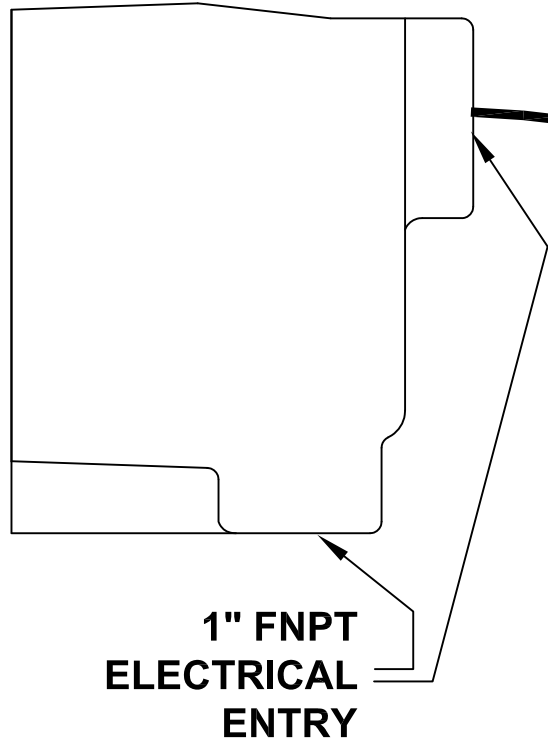
SENSOR AND REMOTE ENCLOSURE REAR VIEW



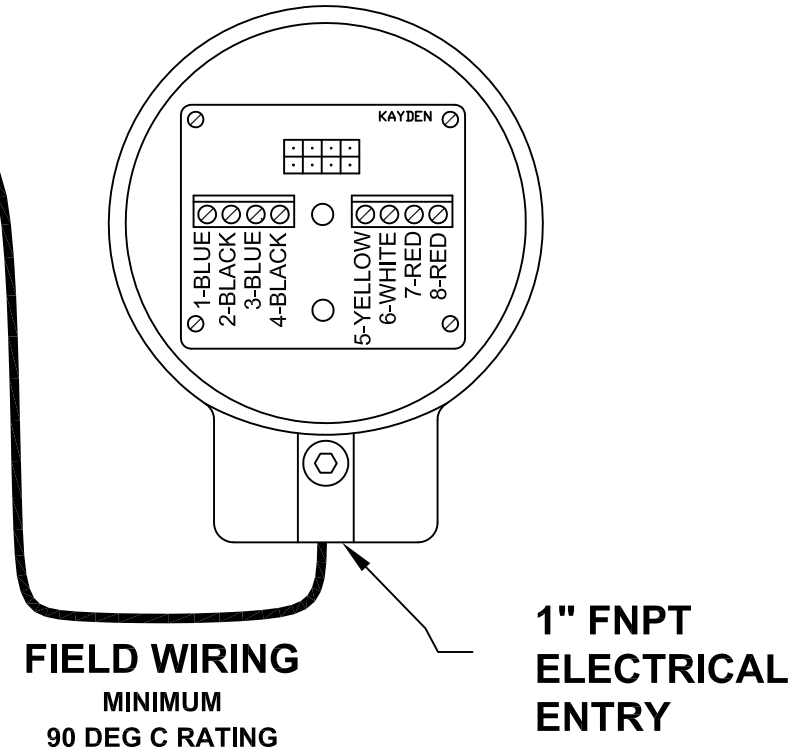
MOUNT SENSOR AND REMOTE ENCLOSURE USING FNPT ENTRY



REMOTE ENCLOSURE SIDE VIEW



SENSOR ENCLOSURE FRONT VIEW



SENSOR AND REMOTE ENCLOSURE SIDE VIEW

Rev	Description	App.	Date
0	Initial release	TDH	03Jun13

Information contained in this document is confidential and proprietary information of Telematic Controls Inc. This document may not be reproduced or distributed for any reason without express written permission of Telematic Controls Inc. All rights of design, invention and copyright are reserved.

APPROVALS		DATE	
DRN	MW	13MAY13	
CHKD	EC	21MAY13	
APP	TDH	03JUN13	
All dimensions are shown in inches with cm shown in brackets TOLERANCES ARE: DECIMALS ANGLES .X ± 0.1 ±0.5° .XX ± 0.02 .XXX ± 0.007			TITLE CLASSIC Series Sensor and Remote Flameproof Enclosure (FM)
SIZE A3	DWG NO. 7730-0000-1-FM	REV 0	
SCALE NTS		SHEET 1 OF 1	

NOTES:
1. Wire sensor to remote according to connection diagram.